

Apach
COOK *line*

APRI-77P/PL/SA

APMIN77A-M1

Catalogo parti di ricambio valido
dalla matricola 0000001 (31.10.2006) ad oggi (21.02.2024)

Catalogue pieces detachees
valable à partir du numero de Série n. 0000001 (31.10.2006) jusqu'à aujourd'hui
(21.02.2024)

Ersatzteilkatalog
gültig ab Serien-Nr. 0000001 (31.10.2006) bis heute (21.02.2024)

Spare parts catalogue
valid from serial no. 0000001 (31.10.2006) up today (21.02.2024)

Catálogo de peças de reposição
válido do número de série 0000001 (31.10.2006) até hoje (21.02.2024)

AFTER S/N:1308813

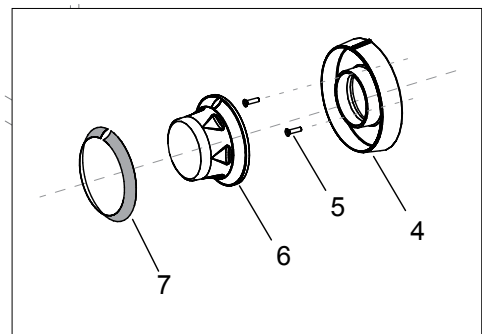
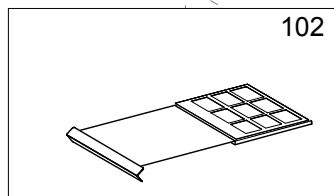
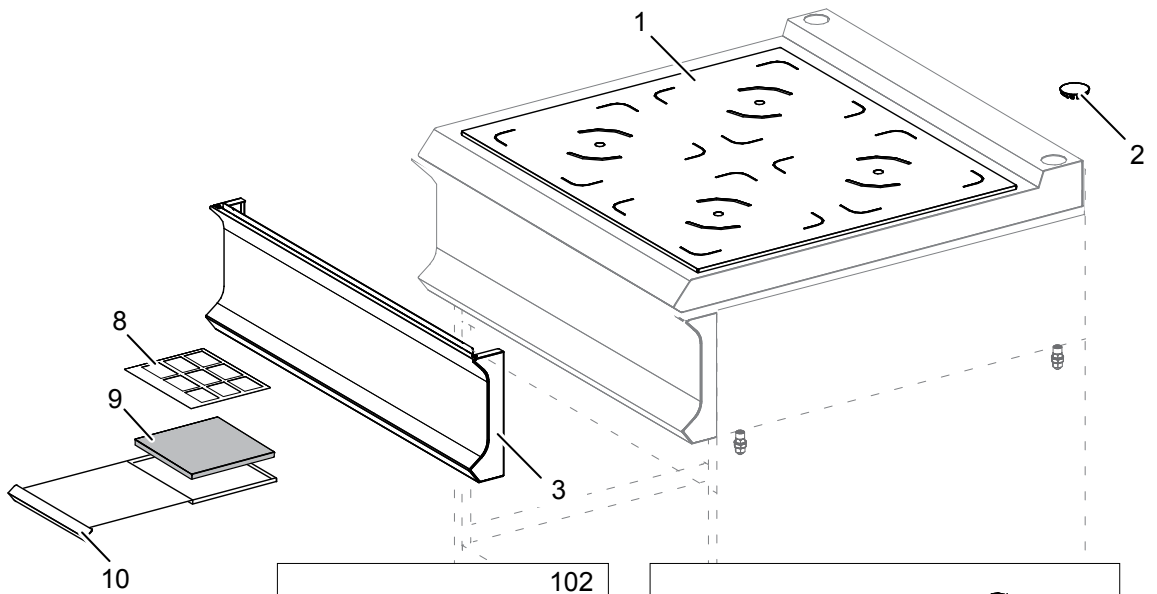
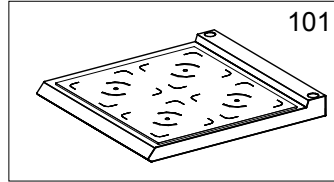
Le informazioni sono considerate non vincolanti. Le immagini rappresentate sono puramente indicative. Il produttore si riserva il diritto di apportare modifiche in qualsiasi momento senza preavviso.

Les informations données ne sont pas contraignantes. Les images montrées sont à titre indicatif. Le producteur se réserve le droit d'apporter des modifications sans préavis.

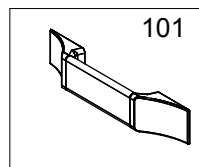
Die im vorliegenden Dokument aufgeführten Informationen und Bilder sind unverbindlich. Der Hersteller behält sich das Recht vor, jederzeit ohne vorherige Ankündigung Änderungen vorzunehmen

Info and drawing could be slightly different from reality and they cannot be considered as compelling. Manufacturer can modify info anytime without forewarning.

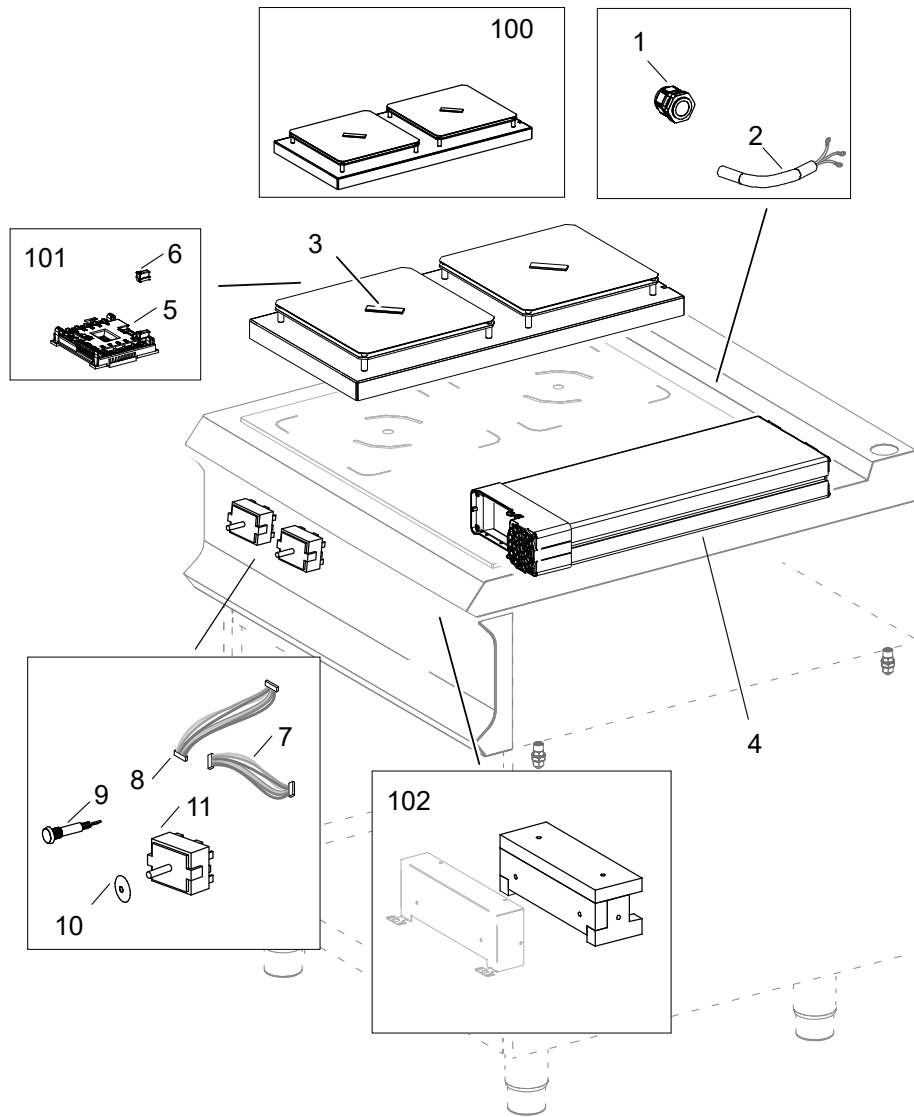
As Informações e desenhoS podem estar um pouco diferente da realidade e são puramente indicativas. O fabricante pode modificar estas informações a qualquer momento sem aviso prévio.



Nr.	Code	Title	Recommended
1.	200300	INDUCTION GLASS	
2.	200787	STOPPER	
3.	202749	CONTROL PANEL	
5.	201660	SCREW M3X10	
6.	168878	ELECTRIC BLACK KNOB BODY + CLIP	
7.	199107	SWITCH RING	
8.	205858	AIR FILTER STOP	✓
9.	205989	FILTER	
10.	203667	EXTERNAL DRAWER PANEL	
100.	ECS9058	RECOMMENDED PARTS FOR IN77A_77T-M1	✓
101.	RIC0004981	TOP GLASS WITH NO WIRING	
102.	RIC0005314	FILTER HOLDER	



Nr.	Code	Title	Recommended
6.	202978	<i>BACK SIDE</i>	
7.	202976	<i>REAR LOWER</i>	
8.	200031	<i>LATERAL SIDE RIGHT</i>	
9.	200032	<i>LATERAL SIDE LEFT</i>	
10.	200002	<i>HIP REINFORCEMENT</i>	
11.	200040	<i>REMOVABLE LOWER FLOOR</i>	
12.	200030	<i>CROSS FEET</i>	
13.	RTCU700277	<i>FOOT</i>	
14.	200039	<i>FRONT / BACK CROSSPIECE</i>	



Nr.	Code	Title	Recommended
1.	RTBF800138	CHOCK	
2.	182733	POWER SUPPLY CABLE	
3.	RIC0005325	SENSOR	
4.	205960	GENERATOR	✓
5.	RIC0005326	COIL MODULE	
6.	RIC0005327	COIL ID C220	
7.	205724	POTENTIOMETER CONNECTION CABLE	✓
8.	186393	CONNECTING CABLE POTENTIOMETER	✓
9.	186391	CABLE 2 LAMPS LENGTH 0,5MT	✓
10.	RTC800185	GASKET FOR COMMUTATOR ROD	✓
11.	186390	ENCODER	✓
100.	205726	COILCARRIER	
101.	RIC0005329	KIT	
102.	RIC0005315	SOUND ABSORBING GROUP	

Apach

COOK *line*

Catalogo parti di ricambio valido
dalla matricola 0000001 (31.10.2006) ad oggi (16.02.2023)

Catalogue pieces detachees
valable à partir du numero de Série n. 0000001 (31.10.2006) jusqu'à aujourd'hui
(16.02.2023)

Ersatzteilkatalog
gültig ab Serien-Nr. 0000001 (31.10.2006) bis heute (16.02.2023)

Spare parts catalogue
valid from serial no. 0000001 (31.10.2006) up today (16.02.2023)

Catálogo de peças de reposição
válido do número de série 0000001 (31.10.2006) até hoje (16.02.2023)

BEFORE S/N:1308813

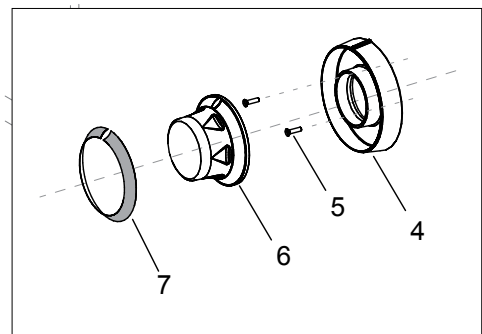
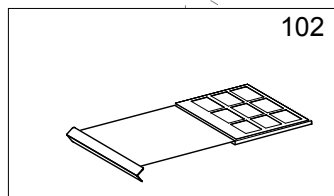
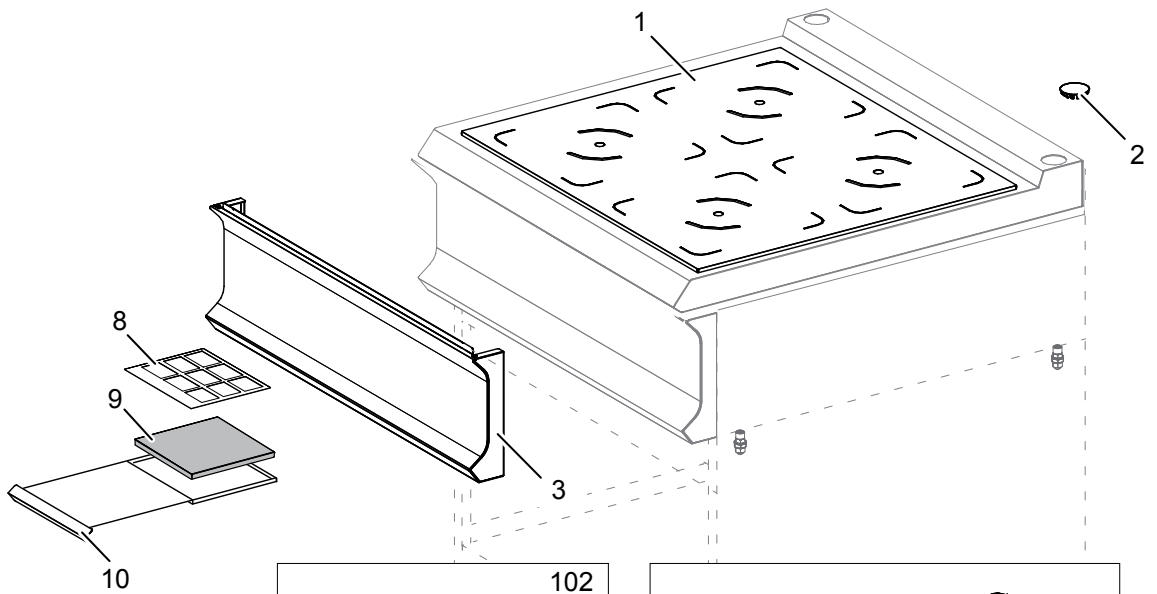
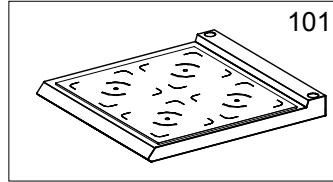
Le informazioni sono considerate non vincolanti. Le immagini rappresentate sono puramente indicative. Il produttore si riserva il diritto di apportare modifiche in qualsiasi momento senza preavviso.

Les informations données ne sont pas contraignantes. Les images montrées sont à titre indicatif. Le producteur se réserve le droit d'apporter des modifications sans préavis.

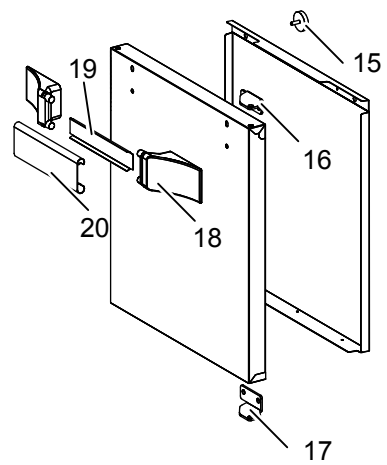
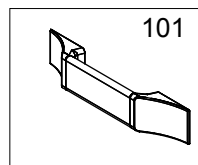
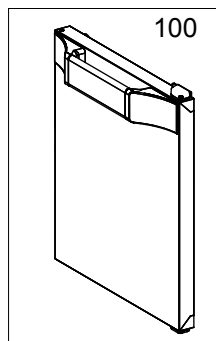
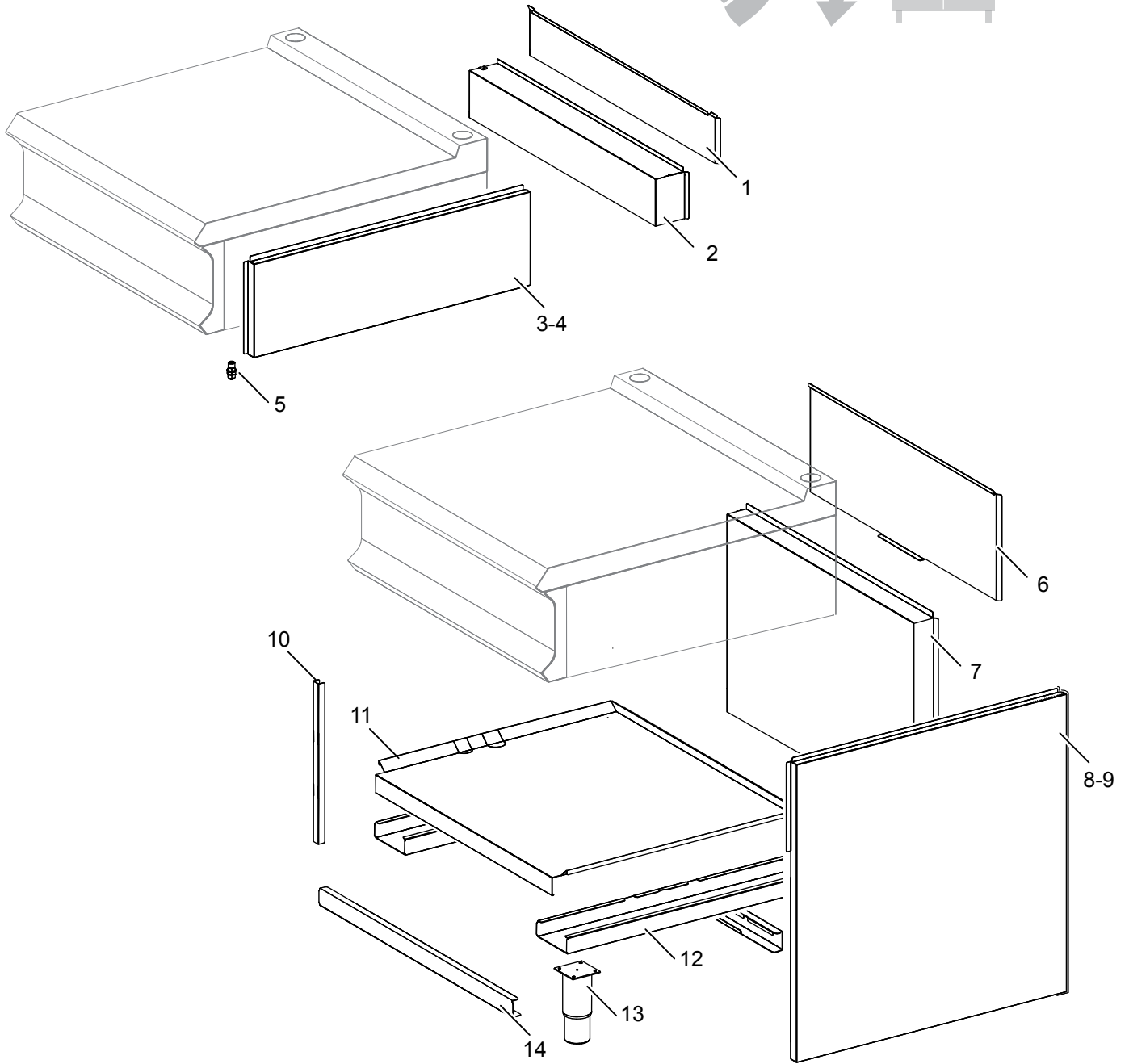
Die im vorliegenden Dokument aufgeführten Informationen und Bilder sind unverbindlich. Der Hersteller behält sich das Recht vor, jederzeit ohne vorherige Ankündigung Änderungen vorzunehmen

Info and drawing could be slightly different from reality and they cannot be considered as compelling. Manufacturer can modify info anytime without forewarning.

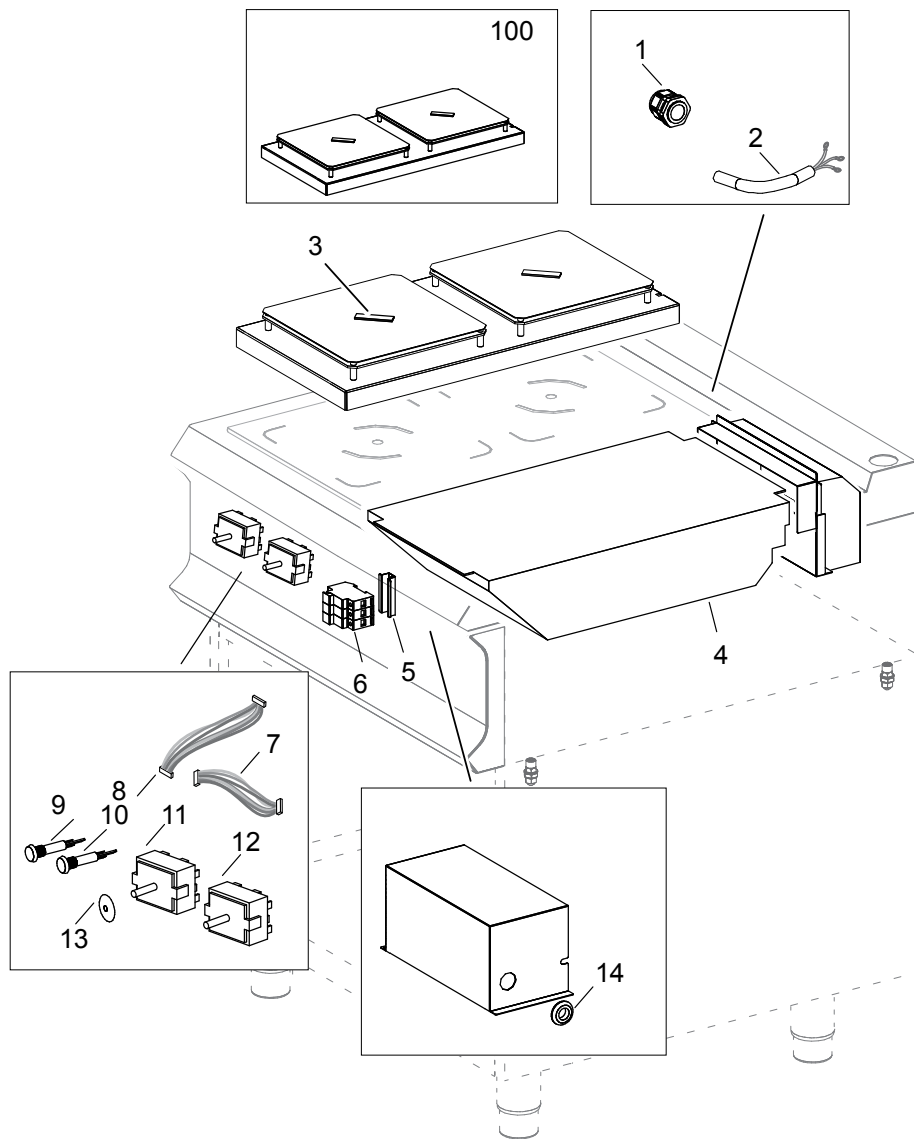
As Informações e desenhoS podem estar um pouco diferente da realidade e são puramente indicativas. O fabricante pode modificar estas informações a qualquer momento sem aviso prévio.



Nr.	Code	Title	Recommended
1.	200300	<i>INDUCTION GLASS</i>	
3.	202281	<i>FRONT PANEL</i>	
6.	202200	<i>COMMUTATOR KNOB</i>	
7.	200342	<i>SWITCH RING</i>	
8.	202935	<i>AIR FILTER STOP</i>	✓
9.	181413	<i>FILTER</i>	✓
10.	203131	<i>EXTERNAL DRAWER PANEL</i>	
11.	202046	<i>CHIMNEY GRILL</i>	
100.	ECS7038	<i>RECOMMENDED PARTS</i>	
101.	RIC0005136	<i>TOP GLASS WITH NO WIRING</i>	
102.	RIC0005131	<i>FILTER HOLDER</i>	



Nr.	Code	Title	Recommended
6.	202978	<i>BACK SIDE</i>	
7.	202976	<i>REAR LOWER</i>	
8.	200031	<i>LATERAL SIDE RIGHT</i>	
9.	200032	<i>LATERAL SIDE LEFT</i>	
11.	200040	<i>REMOVABLE LOWER FLOOR</i>	
12.	200030	<i>CROSS FEET</i>	
13.	RTCU700277	<i>FOOT</i>	
14.	200039	<i>FRONT / BACK CROSSPIECE</i>	



Nr.	Code	Title	Recommended
1.	RTBF800138	CHOCK	
2.	182733	POWER SUPPLY CABLE	
3.	RIC0003557	SENSOR FOR INDUCTANCE + KAPTON TAPE	
4.	177900	GENERATOR	✓
5.	184553	SUPPORT	
6.	182728	FUSE HOLDER	✓
7.	186393	CONNECTING CABLE POTENTIOMETER	✓
8.	186392	CONNECTING CABLE POTENTIOMETER/GENERATOR	✓
9.	186391	CABLE 2 LAMPS LENGTH 0,5MT	✓
10.	186391	CABLE 2 LAMPS LENGTH 0,5MT	✓
11.	186390	ENCODER	✓
12.	186390	ENCODER	✓
13.	RTC800185	GASKET FOR COMMUTATOR ROD	✓
14.	RTBF800134	CHOCK	