

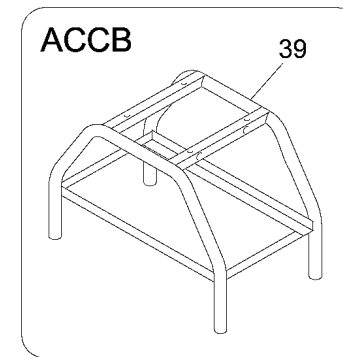
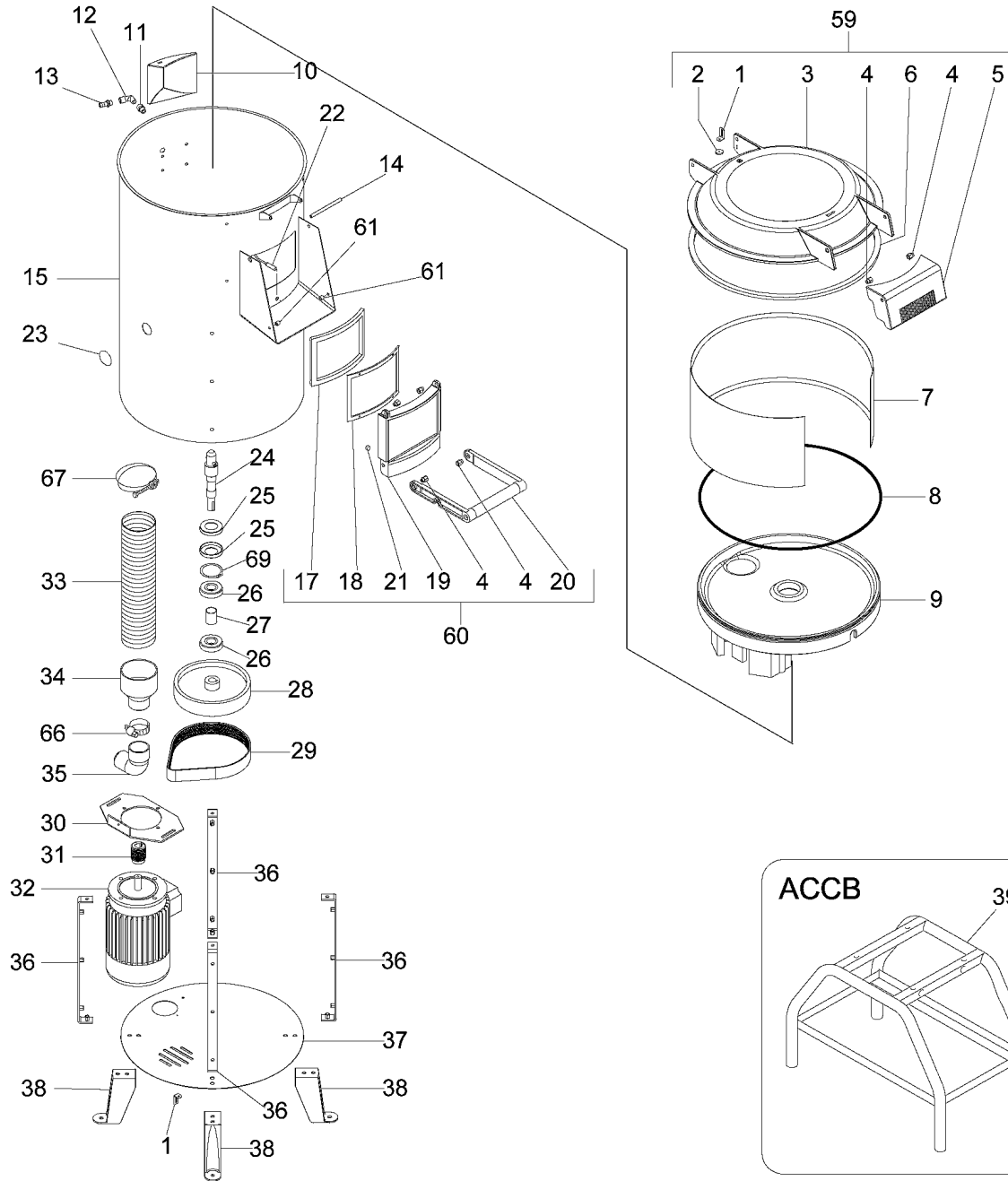
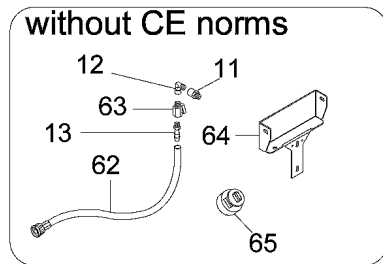
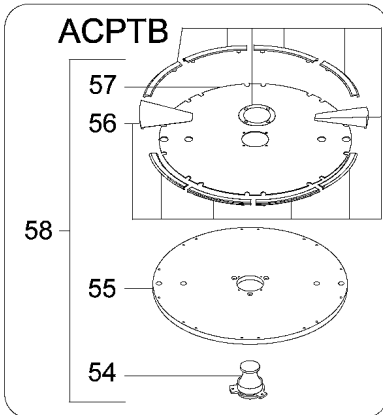
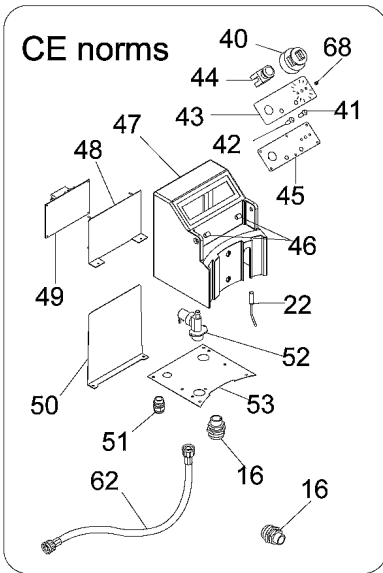


## TAVOLA RICAMBI SPARE PARTS

PPN-PPF25

SPEC.	N.	CODE	DENOMINAZIONE - DENOMINATION	PRICE
	1	35V6381	Staffa - Bracket	€ 0.25
	* 2	3600310	Magnete - Magnet	€ 1.00
	3	SL3156	Coperchio - Cover	€ 49.00
	4	36D9550	Boccola - Bush	€ 2.00
	5	36M5090	Maniglia - Handle	€ 6.50
	* 6	SL3317	Guarnizione - Gasket	€ 6.00
Assembly	7	SA1130	Tela abrasiva - Emery cloth	€ 65.00
	8	SL3300	Guarnizione - Gasket	€ 18.00
	9	SL3199	Fondo - Bottom	€ 273.00
	10	36D9660	Saltarello - Leaper	€ 23.00
"1/4" M-F"	11	33Q6210	Raccordo - Nipple	€ 2.00
L 90° M-F	12	33Q6040	Raccordo - Nipple	€ 3.50
"1/4" M Ø12"	13	33Q5180	Portagomma - Cluch	€ 2.50
	14	36G2040	Perno - Pivot	€ 4.00
	15	SL3143	Carcassa - Housing	
PG21	16	32D1090	Pressaguaina - Sheathing clamp	
	* 17	37Q7860	Guarnizione - Gasket	€ 31.00
	18	36C0011	Telaio - Frame	€ 4.00
	19	SL3197	Sportello - Door	€ 42.00
Assembly	20	SA1093	Maniglia - Handle	€ 14.00
	* 21	3600160	Magnete - Magnet	€ 0.80
CE norms	* 22	32W3240	Microinterruttore - Microswitch	€ 10.00
	23	SL3231	Tappo - Cap	€ 3.90
	24	SL3198	Albero - Shaft	€ 27.00
ø35xø62x10	25	SL3006	Paraolio - Oil seal	€ 5.00
6305 2RS	26	SL3191	Cuscinetto - Bearing	€ 10.50
	27	SL3217	Distanziale - Spacer	€ 4.00
	28	SL3195	Puleggia - Pulley	€ 50.00
Poly V-723 J16	* 29	SL3159	Cinghia - Belt	€ 19.00
	30	SL3181	Flangia - Flange	€ 20.00
	31	SL3155	Puleggia - Pulley	€ 10.50
400V/3Ph/50Hz	32	SL0089	Motore - Motor	€ 125.00
230V/1Ph/50Hz	32	SL3270	Motore - Motor	€ 200.00
ø90 (PPF25)	33	35X1150	Tubo - Pipe	€ 9.50
ø90 (PPN25)	33	SL3154	Tubo - Pipe	€ 9.90
ø100-ø50 (PPN25)	34	SL2720	Riduzione - Reduction	€ 9.10
L 90° ø50 (PPN25)	35	SL2719	Gomito - Bend	€ 3.25
	36	SL3192	Staffa - Bracket	€ 14.70
(PPF25)	37	SL3224	Fondo - Bottom	€ 31.50
(PPN25)	37	SL3368	Fondo - Bottom	€ 32.50

\*Ricambio consigliato - Advised spare parts



POS.	CODE
1	35V6381
2	3600310
3	SL3156
4	36D9550
5	36M5090
6	SL3317
7	SA1130
8	SL3300
9	SL3199
10	36D9660
11	33Q6210
12	33Q6040
13	33Q5180
14	36G2040
15	SL3143
16	32D1090
17	37Q7860
18	36C0011
19	SL3197
20	SA1093
21	3600160
22	32W3240
23	SL3231
24	SL3198
25	SL3006
26	SL3191
27	SL3217
28	SL3195
29	SL3159
30	SL3181
31	SL3155
32	SL0089
32	SL3270
33	35X1150
33	SL3154
34	SL2720
35	SL2719
36	SL3192
37	SL3224
37	SL3368

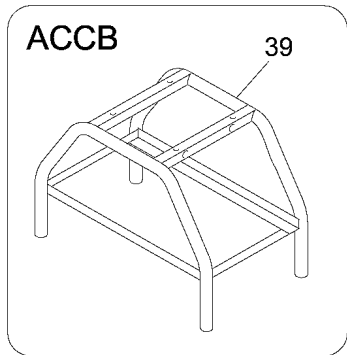
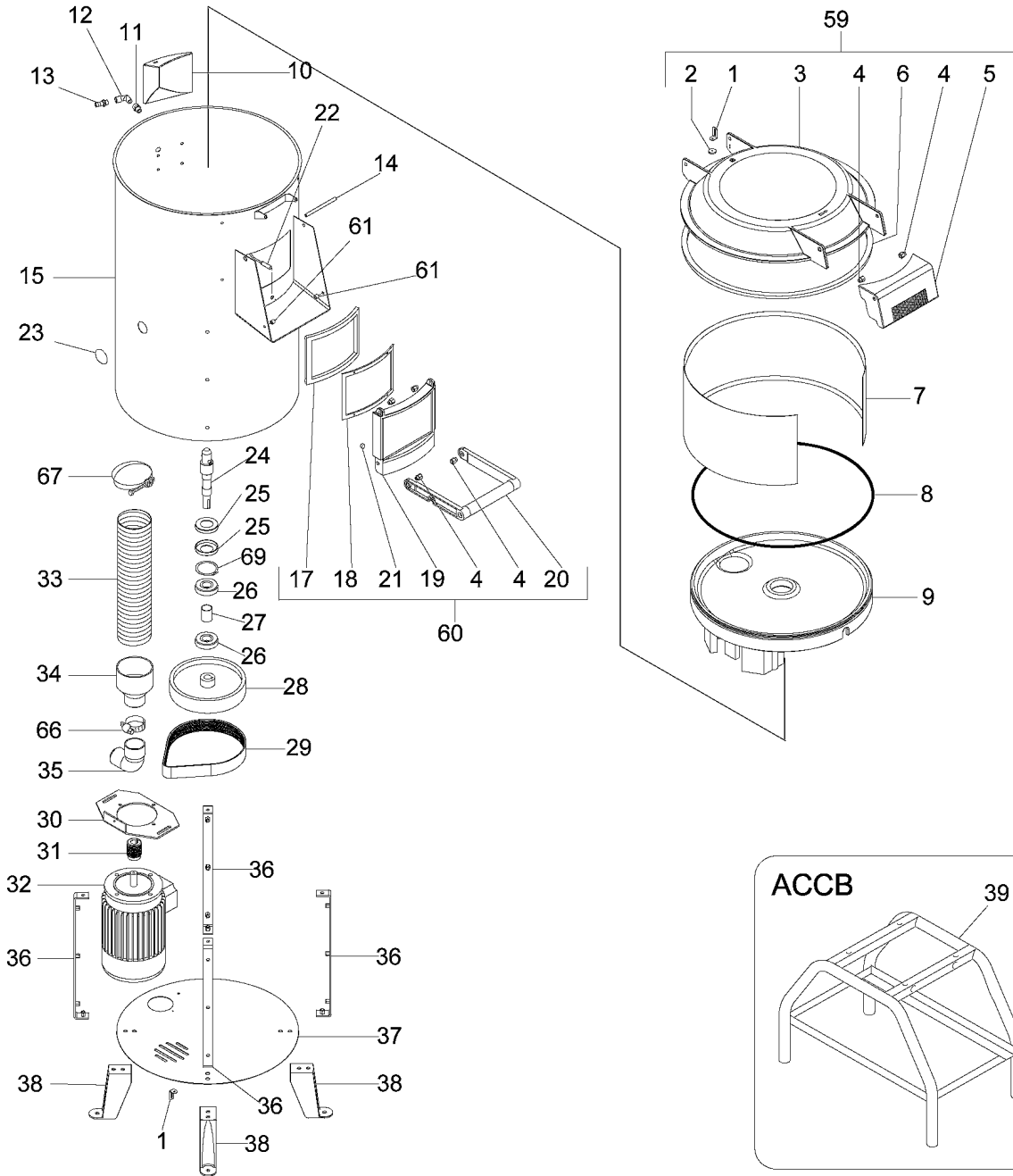
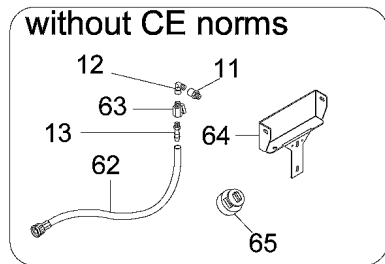
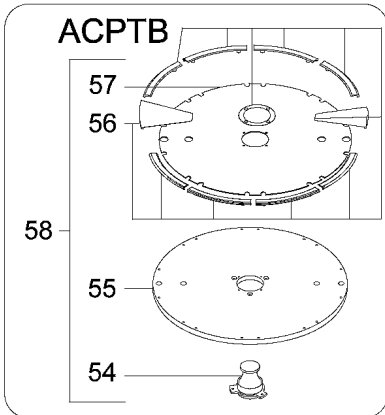
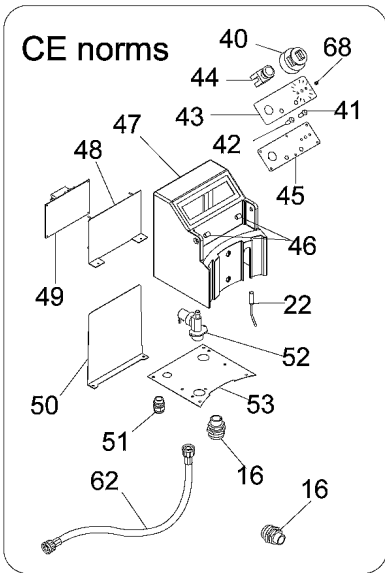


## TAVOLA RICAMBI SPARE PARTS

PPN-PPF25

SPEC.	N.	CODE	DENOMINAZIONE - DENOMINATION	PRICE
(PPN25)	38	SL3223	Piedino - Foot	€ 18.50
(PPF25)	39	ACCB	Telaio - Frame	€ 320.00
	* 40	SA1087	Timer - Timer	€ 17.00
230V 2W green	* 41	32W2970	Lampada - Lamp	€ 3.80
230V 2W white	* 42	32W3280	Lampada - Lamp	€ 2.30
01/12/08 f.p.(*)	43	SL3530	Etichetta - Label	
	43	SL3705	Etichetta - Label	
Unstable	* 44	SA1088	Pulsante - Push button	€ 21.00
01/12/08 f.p.(*)	45	30A3620	Pannello - Panel	€ 12.00
	45	SL3693	Pannello - Panel	€ 7.00
	46	36D7310	Boccola - Bush	€ 1.50
	47	36Z0690	Scatola - Box	€ 18.00
	48	SL2785R0	Piastra - Plate	€ 14.00
230/400V-50/60Hz	* 49	SL2921	Scheda elettronica - Electronic card	€ 37.00
110V 60Hz	* 49	SL4338	Scheda elettronica - Electronic card	€ 18.00
	50	35M8840	Copertura - Covering	€ 14.00
PG13,5	51	SL1757	Pressacavo - Cable clamp	€ 1.65
"230V/50-60Hz 3/4" M"	* 52	33D1371	Elettrovalvola - Electro-valve	€ 9.00
	53	SL2939	Piastra - Plate	€ 14.00
01/11/07 f.p.(*)	54	36M5250	Pomello - Knob	
	54	SL3267	Pomello - Knob	€ 20.00
	55	SL3149R0	Disco - Disk	€ 40.00
Plastic (PTB)	* 56	SA3650	Kit disco - Disk set	€ 24.00
	57	SL3151	Tela abrasiva - Emery cloth	€ 31.50
Assembly	58	ACPTB	Disco patate - Potato disk	€ 275.00
Assembly	59	SA3660	Coperchio - Cover	€ 68.00
Assembly	60	SA1074	Sportello - Door	€ 79.00
dal 01/06/17	61	SL1594	Perno - Pivot	
fino al 31/05/17 f.p.(*)	61	SL2349	Perno - Pivot	€ 1.00
"3/4" F-F "	62	33M0010	Tubo - Pipe	€ 4.50
"1/4" M-F"	63	SL1622	Rubinetto - Cock	€ 12.00
	64	SL2904	Staffa - Bracket	
Assembly	65	SA1092	Timer - Timer	€ 26.00
ø50÷ø70 (PPN25)	66	SL2745	Fascetta - Clip	€ 4.00
ø88÷ø96	67	3140460	Fascetta - Clip	€ 3.50
V-8-S	68	SL0772	V-ring - V-ring	€ 1.00
ø62	69	SL3201	Seeger - Seeger	€ 0.80

\*Ricambio consigliato - Advised spare parts



POS.	CODE
38	SL3223
39	ACCB
40	SA1087
41	32W2970
42	32W3280
43	SL3530
43	SL3705
44	SA1088
45	30A3620
45	SL3693
46	36D7310
47	36Z0690
48	SL2785R0
49	SL2921
49	SL4338
50	35M8840
51	SL1757
52	33D1371
53	SL2939
54	36M5250
54	SL3267
55	SL3149R0
56	SA3650
57	SL3151
58	ACPTB
59	SA3660
60	SA1074
61	SL1594
61	SL2349
62	33M0010
63	SL1622
64	SL2904
65	SA1092
66	SL2745
67	3140460
68	SL0772
69	SL3201