

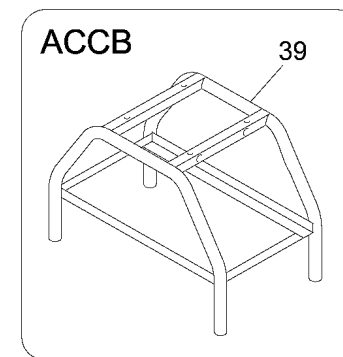
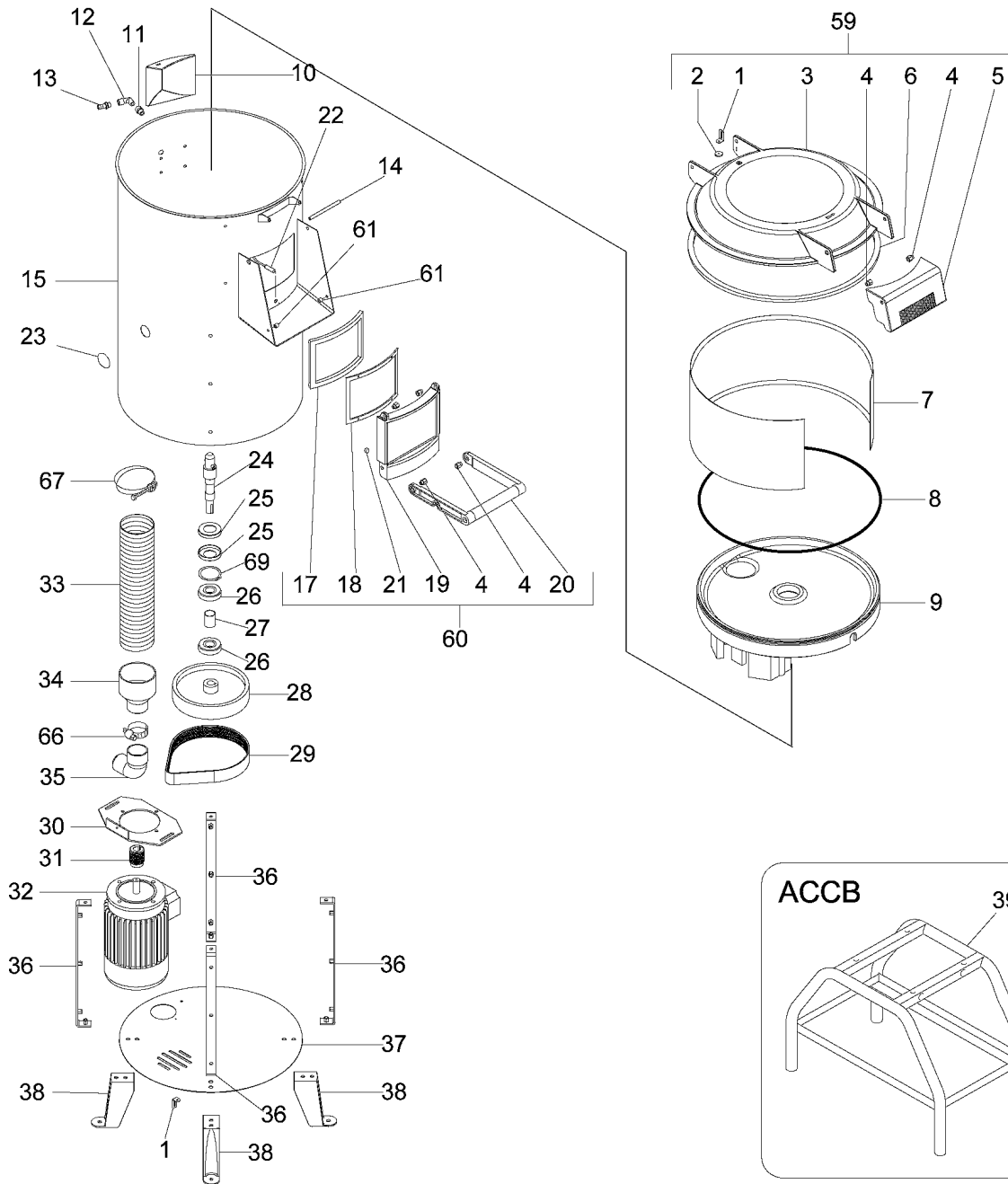
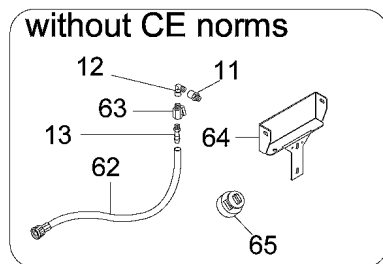
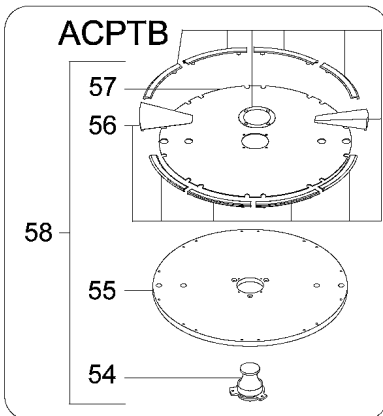
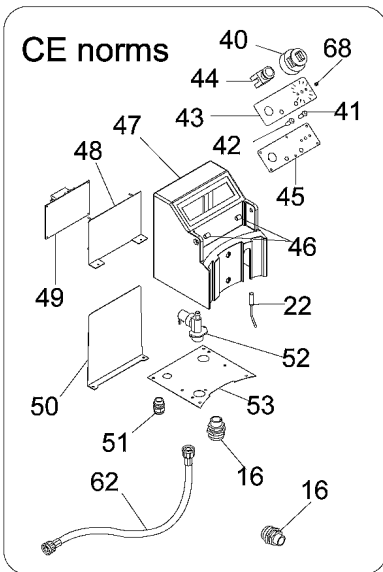


SPARE PARTS TAVOLA RICAMBI

PPN-PPF25

| SPEC. | N. | CODE | DENOMINAZIONE - DENOMINATION | PRICE |
|-------------------|------|---------|---------------------------------|----------|
| | 1 | 35V6381 | Bracket - Staffa | € 0.25 |
| | * 2 | 3600310 | Magnet - Magnete | € 1.00 |
| | 3 | SL3156 | Cover - Coperchio | € 49.00 |
| | 4 | 36D9550 | Bush - Boccia | € 2.00 |
| | 5 | 36M5090 | Handle - Maniglia | € 6.50 |
| | * 6 | SL3317 | Gasket - Guarnizione | € 6.00 |
| Assembly | 7 | SA1130 | Emery cloth - Tela abrasiva | € 65.00 |
| | 8 | SL3300 | Gasket - Guarnizione | € 18.00 |
| | 9 | SL3199 | Bottom - Fondo | € 273.00 |
| | 10 | 36D9660 | Leaper - Saltarello | € 23.00 |
| "1/4" M-F" | 11 | 33Q6210 | Nipple - Raccordo | € 2.00 |
| L 90° M-F | 12 | 33Q6040 | Nipple - Raccordo | € 3.50 |
| "1/4" M Ø12" | 13 | 33Q5180 | Cluch - Portagomma | € 2.50 |
| | 14 | 36G2040 | Pivot - Perno | € 4.00 |
| | 15 | SL3143 | Housing - Carcassa | |
| PG21 | 16 | 32D1090 | Sheathing clamp - Pressaguaina | |
| | * 17 | 37Q7860 | Gasket - Guarnizione | € 31.00 |
| | 18 | 36C0011 | Frame - Telaio | € 4.00 |
| | 19 | SL3197 | Door - Sportello | € 42.00 |
| Assembly | 20 | SA1093 | Handle - Maniglia | € 14.00 |
| | * 21 | 3600160 | Magnet - Magnete | € 0.80 |
| CE norms | * 22 | 32W3240 | Microswitch - Microinterruttore | € 10.00 |
| | 23 | SL3231 | Cap - Tappo | € 3.90 |
| | 24 | SL3198 | Shaft - Albero | € 27.00 |
| Ø35xØ62x10 | 25 | SL3006 | Oil seal - Paraolio | € 5.00 |
| 6305 2RS | 26 | SL3191 | Bearing - Cuscinetto | € 10.50 |
| | 27 | SL3217 | Spacer - Distanziale | € 4.00 |
| | 28 | SL3195 | Pulley - Puleggia | € 50.00 |
| Poly V-723 J16 | * 29 | SL3159 | Belt - Cinghia | € 19.00 |
| | 30 | SL3181 | Flange - Flangia | € 20.00 |
| | 31 | SL3155 | Pulley - Puleggia | € 10.50 |
| 400V/3Ph/50Hz | 32 | SL0089 | Motor - Motore | € 125.00 |
| 230V/1Ph/50Hz | 32 | SL3270 | Motor - Motore | € 200.00 |
| Ø90 (PPF25) | 33 | 35X1150 | Pipe - Tubo | € 9.50 |
| Ø90 (PPN25) | 33 | SL3154 | Pipe - Tubo | € 9.90 |
| Ø100-Ø50 (PPN25) | 34 | SL2720 | Reduction - Riduzione | € 9.10 |
| L 90° Ø50 (PPN25) | 35 | SL2719 | Bend - Gomito | € 3.25 |
| | 36 | SL3192 | Bracket - Staffa | € 14.70 |
| (PPF25) | 37 | SL3224 | Bottom - Fondo | € 31.50 |
| (PPN25) | 37 | SL3368 | Bottom - Fondo | € 32.50 |

*Ricambio consigliato - Advised spare parts



| POS. | CODE |
|------|---------|
| 1 | 35V6381 |
| 2 | 3600310 |
| 3 | SL3156 |
| 4 | 36D9550 |
| 5 | 36M5090 |
| 6 | SL3317 |
| 7 | SA1130 |
| 8 | SL3300 |
| 9 | SL3199 |
| 10 | 36D9660 |
| 11 | 33Q6210 |
| 12 | 33Q6040 |
| 13 | 33Q5180 |
| 14 | 36G2040 |
| 15 | SL3143 |
| 16 | 32D1090 |
| 17 | 37Q7860 |
| 18 | 36C0011 |
| 19 | SL3197 |
| 20 | SA1093 |
| 21 | 3600160 |
| 22 | 32W3240 |
| 23 | SL3231 |
| 24 | SL3198 |
| 25 | SL3006 |
| 26 | SL3191 |
| 27 | SL3217 |
| 28 | SL3195 |
| 29 | SL3159 |
| 30 | SL3181 |
| 31 | SL3155 |
| 32 | SL0089 |
| 32 | SL3270 |
| 33 | 35X1150 |
| 33 | SL3154 |
| 34 | SL2720 |
| 35 | SL2719 |
| 36 | SL3192 |
| 37 | SL3224 |
| 37 | SL3368 |

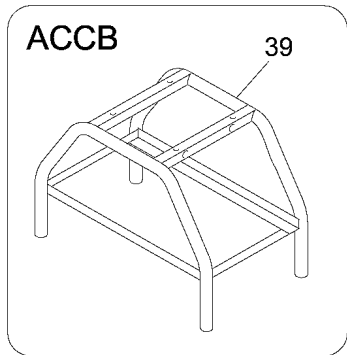
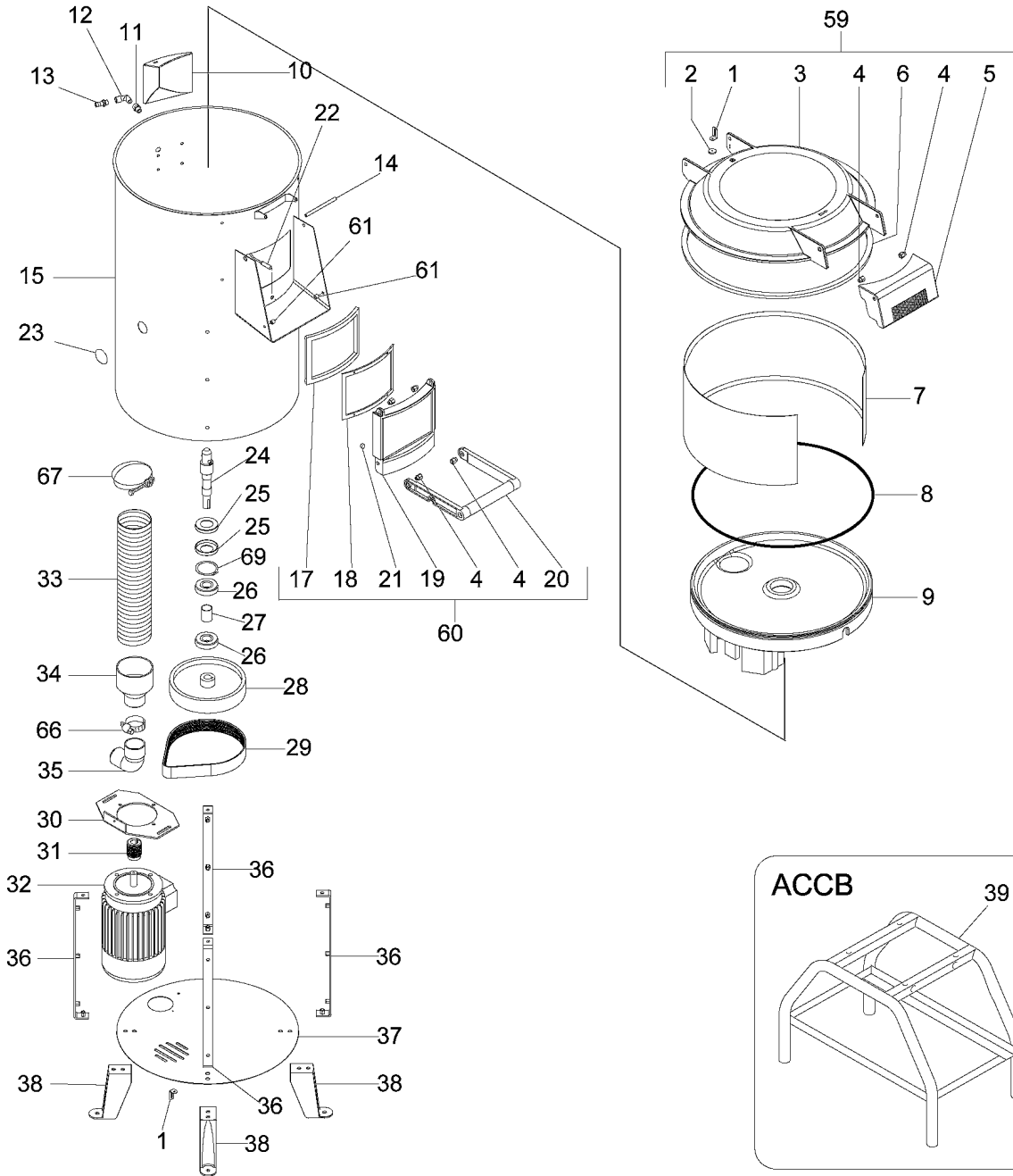
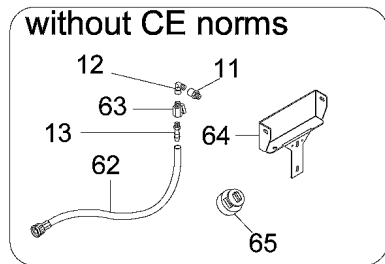
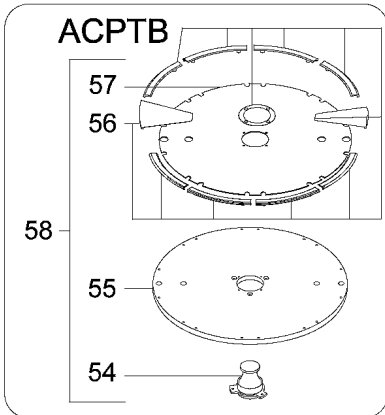
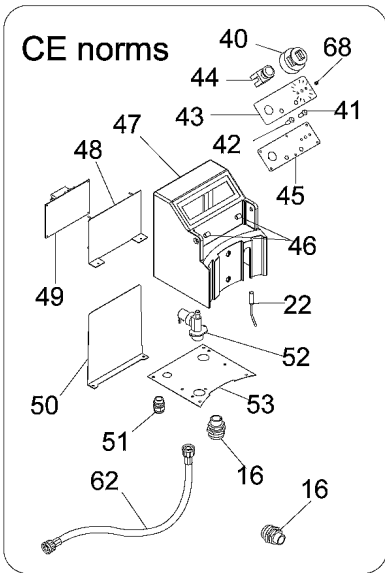


SPARE PARTS TAVOLA RICAMBI

PPN-PPF25

| SPEC. | N. | CODE | DENOMINAZIONE - DENOMINATION | PRICE |
|--------------------------|------|----------|--------------------------------------|----------|
| (PPN25) | 38 | SL3223 | Foot - Piedino | € 18.50 |
| (PPF25) | 39 | ACCB | Frame - Telaio | € 320.00 |
| | * 40 | SA1087 | Timer - Timer | € 17.00 |
| 230V 2W green | * 41 | 32W2970 | Lamp - Lampada | € 3.80 |
| 230V 2W white | * 42 | 32W3280 | Lamp - Lampada | € 2.30 |
| 01/12/08 f.p.(*) | 43 | SL3530 | Label - Etichetta | |
| | 43 | SL3705 | Label - Etichetta | |
| Unstable | * 44 | SA1088 | Push button - Pulsante | € 21.00 |
| 01/12/08 f.p.(*) | 45 | 30A3620 | Panel - Pannello | |
| | 45 | SL3693 | Panel - Pannello | € 7.00 |
| | 46 | 36D7310 | Bush - Boccia | € 1.50 |
| | 47 | 36Z0690 | Box - Scatola | € 18.00 |
| | 48 | SL2785R0 | Plate - Piastra | € 14.00 |
| 230/400V-50/60Hz | * 49 | SL2921 | Electronic card - Scheda elettronica | € 37.00 |
| 110V 60Hz | * 49 | SL4338 | Electronic card - Scheda elettronica | € 18.00 |
| | 50 | 35M8840 | Covering - Copertura | € 14.00 |
| PG13,5 | 51 | SL1757 | Cable clamp - Pressacavo | € 1.65 |
| "230V/50-60Hz 3/4" M" | * 52 | 33D1371 | Electro-valve - Elettrovalvola | € 9.00 |
| | 53 | SL2939 | Plate - Piastra | € 14.00 |
| 01/11/07 f.p.(*) | 54 | 36M5250 | Knob - Pomello | |
| | 54 | SL3267 | Knob - Pomello | € 20.00 |
| | 55 | SL3149R0 | Disk - Disco | € 40.00 |
| Plastic (PTB) | * 56 | SA3650 | Disk set - Kit disco | € 24.00 |
| | 57 | SL3151 | Emery cloth - Tela abrasiva | € 31.50 |
| Assembly | 58 | ACPTB | Potato disk - Disco patate | € 275.00 |
| Assembly | 59 | SA3660 | Cover - Coperchio | € 68.00 |
| Assembly | 60 | SA1074 | Door - Sportello | € 79.00 |
| dal 01/06/17 | 61 | SL1594 | Pivot - Perno | |
| fino al 31/05/17 f.p.(*) | 61 | SL2349 | Pivot - Perno | € 1.00 |
| "3/4" F-F " | 62 | 33M0010 | Pipe - Tubo | € 4.50 |
| "1/4" M-F" | 63 | SL1622 | Cock - Rubinetto | € 12.00 |
| | 64 | SL2904 | Bracket - Staffa | |
| Assembly | 65 | SA1092 | Timer - Timer | € 26.00 |
| ø50÷ø70 (PPN25) | 66 | SL2745 | Clip - Fascetta | € 4.00 |
| ø88÷ø96 | 67 | 3140460 | Clip - Fascetta | € 3.50 |
| V-8-S | 68 | SL0772 | V-ring - V-ring | € 1.00 |
| ø62 | 69 | SL3201 | Seeger - Seeger | € 0.80 |

*Ricambio consigliato - Advised spare parts



| POS. | CODE |
|------|----------|
| 38 | SL3223 |
| 39 | ACCB |
| 40 | SA1087 |
| 41 | 32W2970 |
| 42 | 32W3280 |
| 43 | SL3530 |
| 43 | SL3705 |
| 44 | SA1088 |
| 45 | 30A3620 |
| 45 | SL3693 |
| 46 | 36D7310 |
| 47 | 36Z0690 |
| 48 | SL2785R0 |
| 49 | SL2921 |
| 49 | SL4338 |
| 50 | 35M8840 |
| 51 | SL1757 |
| 52 | 33D1371 |
| 53 | SL2939 |
| 54 | 36M5250 |
| 54 | SL3267 |
| 55 | SL3149R0 |
| 56 | SA3650 |
| 57 | SL3151 |
| 58 | ACPTB |
| 59 | SA3660 |
| 60 | SA1074 |
| 61 | SL1594 |
| 61 | SL2349 |
| 62 | 33M0010 |
| 63 | SL1622 |
| 64 | SL2904 |
| 65 | SA1092 |
| 66 | SL2745 |
| 67 | 3140460 |
| 68 | SL0772 |
| 69 | SL3201 |