



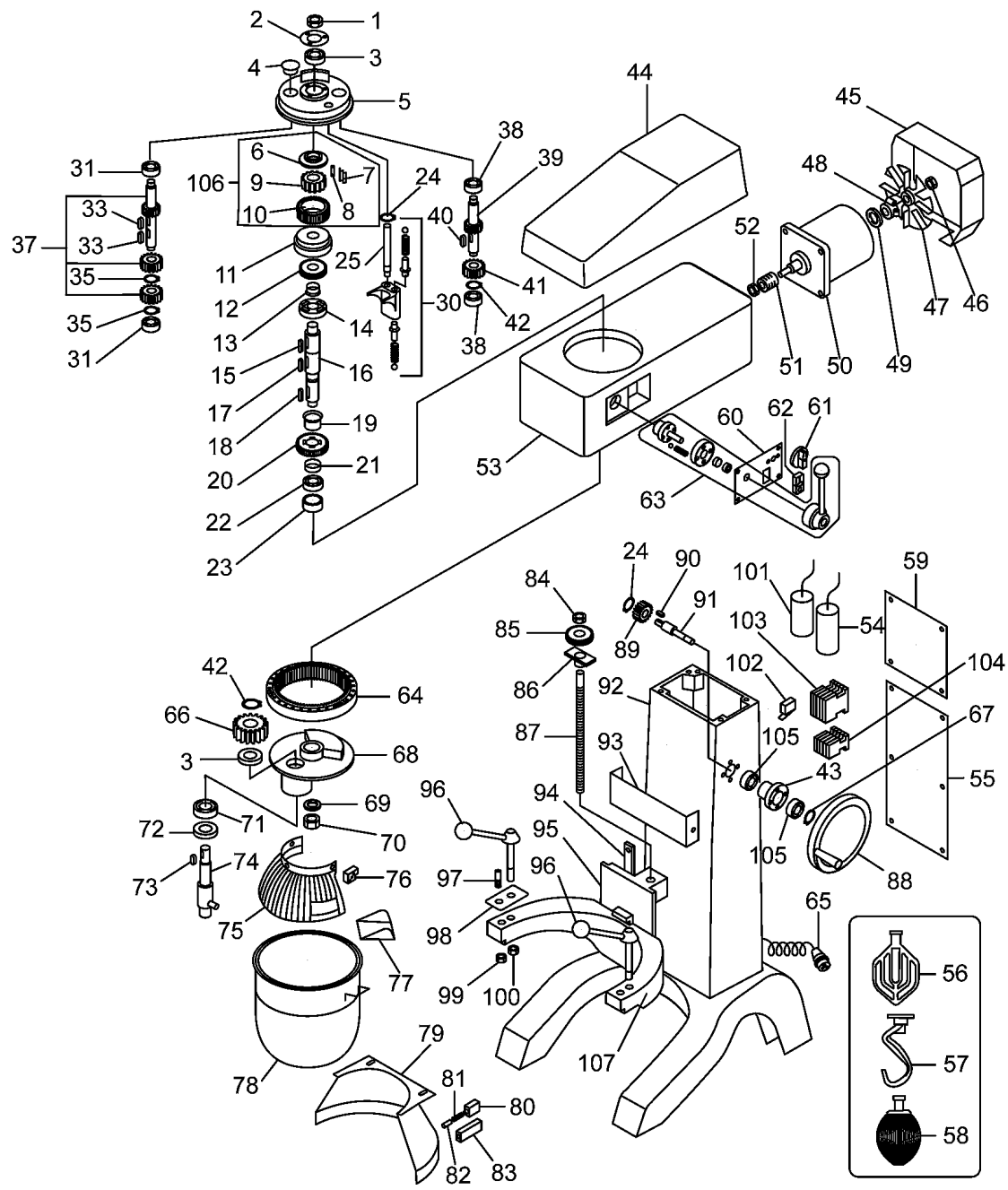
SPARE PARTS TAVOLA RICAMBI

ip30-40-60-80f

1

SPEC.	N.	CODE	DENOMINAZIONE - DENOMINATION	PRICE
	1	CO3409	Nut - Dado	€ 70.00
(IP40F)	2	CO3410	Flange - Flangia	€ 79.00
6207 2RS - (IP60-80F)	3	CO2896	Bearing - Cuscinetto	€ 12.00
6204 2RS - (IP30-40F)	3	SL3125	Bearing - Cuscinetto	€ 6.50
	4	CO3411	Cap - Tappo	€ 41.00
	5	CO3412	Cover - Coperchio	€ 561.00
(IP30-40F)	6	CO0562	Spacer - Distanziale	€ 79.00
(IP60-80F)	6	CO0563	Spacer - Distanziale	€ 65.00
(IP30-40F)	7	CO0564	Spring - Molla	€ 43.00
(IP60-80F)	7	CO0565	Spring - Molla	€ 35.00
(IP30-40F)	8	CO0568	Pivot - Perno	€ 14.50
(IP60-80F)	8	CO0569	Pivot - Perno	€ 33.00
(IP30-40F)	9	CO0566	Insert - Inserto	€ 272.00
(IP60-80F)	9	CO0567	Insert - Inserto	€ 233.00
(IP30-40F)	10	CO0570	Gear - Ingranaggio	€ 340.00
(IP60-80F)	10	CO0571	Gear - Ingranaggio	€ 306.00
(IP30-40F)	11	CO0572	Spacer - Distanziale	€ 187.00
(IP60-80F)	11	CO0573	Spacer - Distanziale	€ 136.00
(IP30-40F)	12	CO0576	Gear - Ingranaggio	€ 221.00
(IP60-80F)	12	CO0577	Gear - Ingranaggio	€ 160.00
(IP30-40F)	13	CO0574	Bush - Boccia	€ 33.50
(IP60-80F)	13	CO0575	Bush - Boccia	€ 48.00
(IP30-40F)	14	CO0578	Shim - Spessore	€ 95.00
(IP60-80F)	14	CO0579	Shim - Spessore	€ 160.00
6x6x40 - (IP30-40F)	15	SL3899	Key - Linguetta	€ 3.00
10x10x50 - (IP60-80F)	15	SL3905	Key - Linguetta	
(IP30-40F)	16	CO0580	Shaft - Albero	€ 408.00
(IP60-80F)	16	CO0581	Shaft - Albero	€ 250.00
10x10x40 - (IP60-80F)	17	SL3904	Key - Linguetta	
"3/16"x3/16"x30 - (IP30-40F)"	17	SL3908	Key - Linguetta	€ 2.50
6x6x40 - (IP30-40F)	18	SL3899	Key - Linguetta	€ 3.00
10x10x90 - (IP60-80F)	18	SL3906	Key - Linguetta	
(IP30-40F)	19	CO0582	Bush - Boccia	€ 67.00
(IP60-80F)	19	CO0583	Bush - Boccia	€ 54.00
(IP30-40F)	20	CO0586	Gear - Ingranaggio	€ 323.00
(IP60-80F)	20	CO0587	Gear - Ingranaggio	€ 170.00
(IP30-40F)	21	CO0584	Bush - Boccia	€ 67.00
(IP60-80F)	21	CO0585	Bush - Boccia	€ 43.00
6206 2RS - (IP30-40F)	22	SL2735	Bearing - Cuscinetto	€ 10.00
5211A 2RS - (IP60-80F)	22	SL3912	Bearing - Cuscinetto	€ 306.00

*Ricambio consigliato - Advised spare parts



POS. CODE	
1	CO3409
2	CO3410
3	CO2896
3	SL3125
4	CO3411
5	CO3412
6	CO0562
6	CO0563
7	CO0564
7	CO0565
8	CO0568
8	CO0569
9	CO0566
9	CO0567
10	CO0570
10	CO0571
11	CO0572
11	CO0573
12	CO0576
12	CO0577
13	CO0574
13	CO0575
14	CO0578
14	CO0579
15	SL3899
15	SL3905
16	CO0580
16	CO0581
17	SL3904
17	SL3908
18	SL3899
18	SL3906
19	CO0582
19	CO0583
20	CO0586
20	CO0587
21	CO0584
21	CO0585
22	SL2735
22	SL3912



SPARE PARTS
TAVOLA RICAMBI

ip30-40-60-80f
1



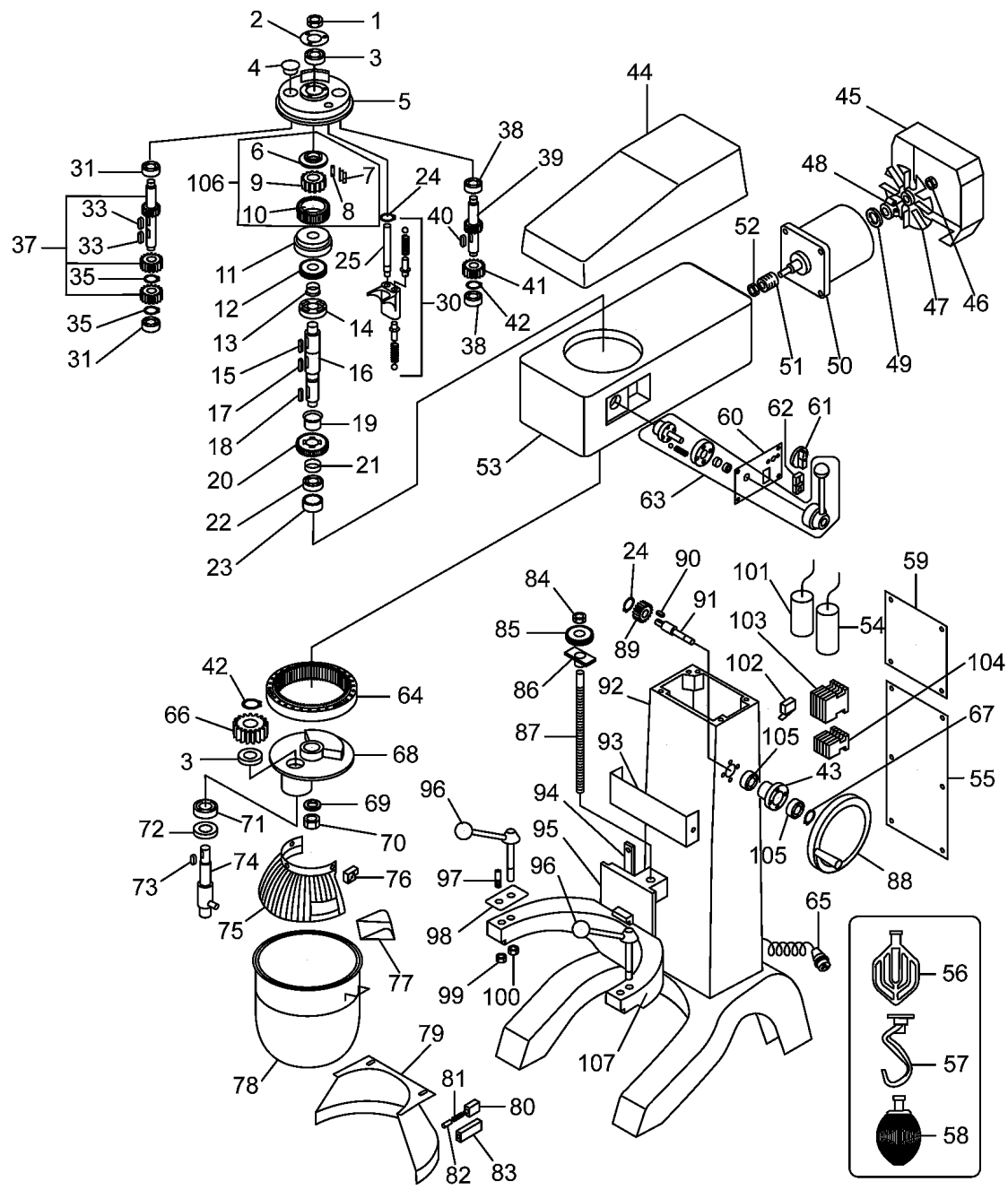
SPARE PARTS TAVOLA RICAMBI

ip30-40-60-80f

1

SPEC.	N.	CODE	DENOMINAZIONE - DENOMINATION	PRICE
ø40xø62x12 - (IP30-40F)	23	CO4979	Oil seal - Paraolio	€ 9.00
ø55xø80x12 - (IP60-80F)	23	SL3917	Oil seal - Paraolio	€ 9.00
(IP30-40F)	24	CO8393	Seeger - Seeger	€ 3.00
ø19 - (IP60-80F)	24	SL3896	Seeger - Seeger	€ 0.50
(IP40F)	25	CO6520	Pivot - Perno	€ 119.00
(IP30-40F)	30	CO0588	Fork - Forcella	€ 357.00
(IP60-80F)	30	CO0589	Fork - Forcella	€ 89.00
6205 2RS - (IP60-80F)	31	SL0118	Bearing - Cuscinetto	€ 8.00
6203 2RS - (IP30-40F)	31	SL0131	Bearing - Cuscinetto	€ 6.00
8x8x25 - (IP60-80F)	33	SL3902	Key - Linguetta	
ø30 - (IP60-80F)	35	SL3720	Seeger - Seeger	€ 0.50
ø19 - (IP30-40F)	35	SL3896	Seeger - Seeger	€ 0.50
(IP30-40F)	37	CO0590	Shaft - Albero	€ 315.00
6205 2RS - (IP60-80F)	38	SL0118	Bearing - Cuscinetto	€ 8.00
6202 2RS - (IP30-40F)	38	SL2472	Bearing - Cuscinetto	€ 5.50
(IP30-40F)	39	CO0596	Shaft - Albero	€ 289.00
(IP60-80F)	39	CO0597	Shaft - Albero	€ 143.00
8x7x28 - (IP60-80F)	40	SL3907	Key - Linguetta	
"1/4"x1/4"x20 - (IP30-40F)"	40	SL3909	Key - Linguetta	
(IP30-40F)	41	CO0598	Gear - Ingranaggio	€ 442.00
(IP60-80F)	41	CO0599	Gear - Ingranaggio	€ 130.00
ø30 - (IP60-80F)	42	SL3720	Seeger - Seeger	€ 0.50
ø19 - (IP30-40F)	42	SL3896	Seeger - Seeger	€ 0.50
(IP30-40F)	43	CO5721	Flange - Flangia	
(IP30-40F)	44	CO0600	Cover - Coperchio	€ 544.00
(IP60-80F)	44	CO0601	Cover - Coperchio	
(IP30-40F)	45	CO0602	Cover - Coperchio	€ 272.00
(IP60-80F)	45	CO0603	Cover - Coperchio	
(IP30-40F)	46	CO5706	Nut - Dado	
(IP30-40F)	47	CO5707	Fan - Ventola	
(IP30-40F)	48	CO5708	Circuit breaker - Disgiuntore	
(IP30-40F)	49	CO5709	Washer - Rosetta	
230V/1Ph/50Hz (IP30F)	50	CO0604	Motor - Motore	
400V/3Ph/50Hz (IP30F)	50	CO0605	Motor - Motore	
400V/3Ph/50Hz (IP40F)	50	CO0606	Motor - Motore	
400V/3Ph/50Hz (IP60F)	50	CO0607	Motor - Motore	
400V/3Ph/50Hz (IP80F)	50	CO0608	Motor - Motore	
(IP30-40F)	51	CO0609	Pulley - Puleggia	€ 62.30
(IP60-80F)	51	CO0610	Pulley - Puleggia	
(IP60-80F)	52	CO5774	Nut - Dado	

*Ricambio consigliato - Advised spare parts



POS. CODE	
23	CO4979
23	SL3917
24	CO8393
24	SL3896
25	CO6520
30	CO0588
30	CO0589
31	SL0118
31	SL0131
33	SL3902
35	SL3720
35	SL3896
37	CO0590
38	SL0118
38	SL2472
39	CO0596
39	CO0597
40	SL3907
40	SL3909
41	CO0598
41	CO0599
42	SL3720
42	SL3896
43	CO5721
44	CO0600
44	CO0601
45	CO0602
45	CO0603
46	CO5706
47	CO5707
48	CO5708
49	CO5709
50	CO0604
50	CO0605
50	CO0606
50	CO0607
50	CO0608
51	CO0609
51	CO0610
52	CO5774



SPARE PARTS
TAVOLA RICAMBI

ip30-40-60-80f
1



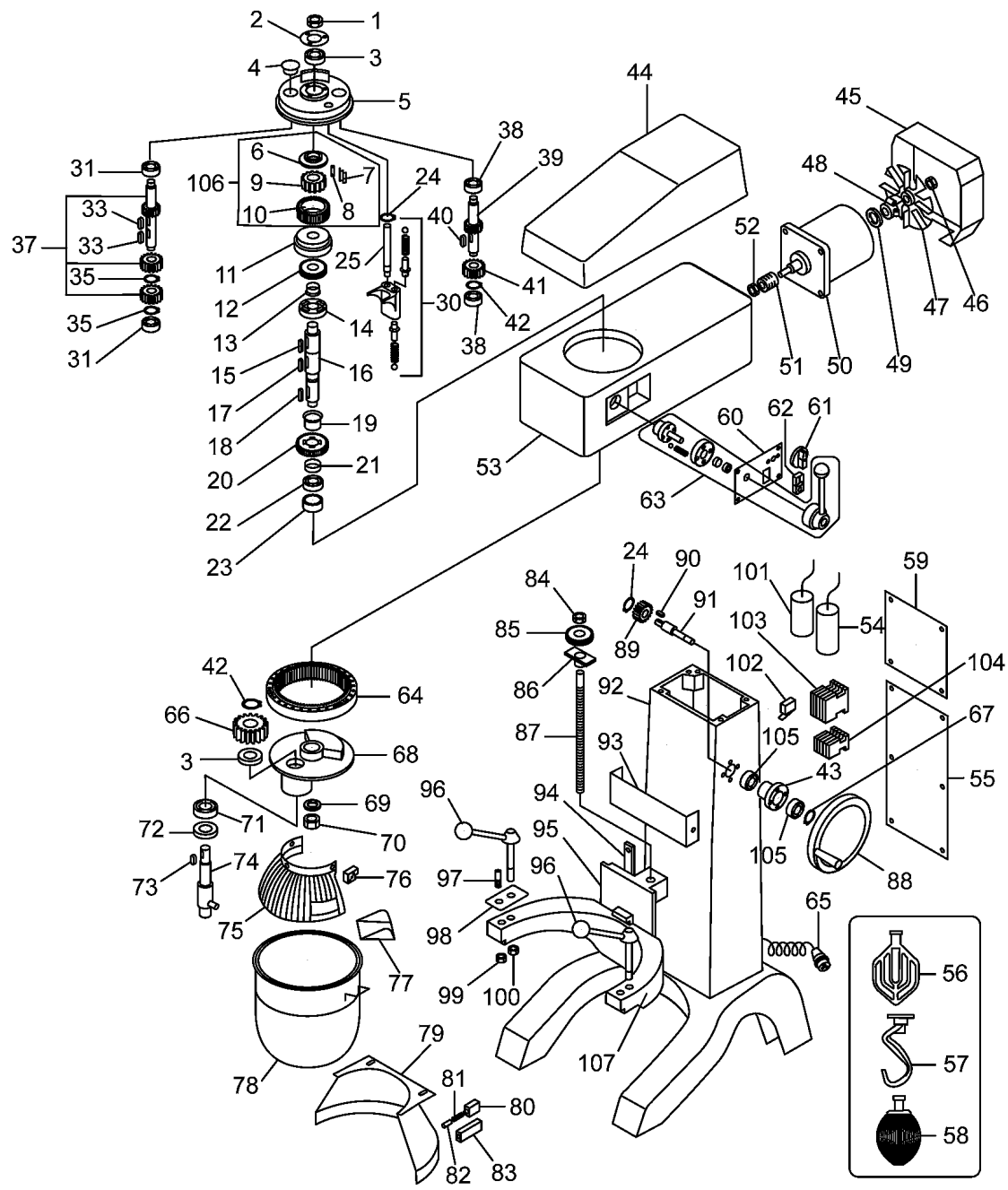
SPARE PARTS TAVOLA RICAMBI

ip30-40-60-80f

1

SPEC.	N.	CODE	DENOMINAZIONE - DENOMINATION	PRICE
(IP30-40F)	52	SL3895	Seeger - Seeger	
(IP40F)	53	CO8395	Head - Testata	
(IP30F)	53	CO8807	Head - Testata	
400µF (IP30F)	54	CO0644	Condenser - Condensatore	
(IP40F)	55	CO9623	PANEL - PANNELLO	
(IP30F)	56	ACRF30BR	Spatula - Spatola	
(IP40F)	56	ACRF40BR	Spatula - Spatola	
(IP60F)	56	ACRF60BR	Spatula - Spatola	
(IP80F)	56	ACRF80BR	Spatula - Spatola	
(IP30F)	57	ACRF30HK	Hook - Uncino	
(IP40F)	57	ACRF40HK	Hook - Uncino	
(IP60F)	57	ACRF60HK	Hook - Uncino	
(IP80F)	57	ACRF80HK	Hook - Uncino	
(IP30F)	58	ACRF30WP	Whisk - Frusta	
(IP40F)	58	ACRF40WP	Whisk - Frusta	
(IP60F)	58	ACRF60WP	Whisk - Frusta	
(IP80F)	58	ACRF80WP	Whisk - Frusta	
(IP40F)	59	CO8438	Panel - Pannello	
(IP30-40F)	60	SL3429	Control panel - Pannello di controllo	€ 5.85
(IP60-80F)	61	CO0611	Timer - Timer	€ 84.00
	* 62	SA1052	Push button - Pulsante	€ 27.00
Assembly (IP30-40F)	63	CO0612	Lever - Leva	€ 73.50
Assembly (IP60-80F)	63	CO0613	Lever - Leva	€ 357.00
(IP30-40F)	64	CO0614	Rack - Cremagliera	€ 99.60
(IP60-80F)	64	CO0615	Rack - Cremagliera	€ 269.00
(IP30-40F)	66	CO0616	Gear - Ingranaggio	€ 64.70
(IP60-80F)	66	CO0617	Gear - Ingranaggio	€ 306.00
∅20	67	SL0075	Seeger - Seeger	€ 0.50
(IP30-40F)	68	CO0618	Cover - Coperchio	€ 240.00
(IP60-80F)	68	CO0619	Cover - Coperchio	€ 429.00
	69	CO5710	Washer - Rosetta	€ 48.00
	70	CO5711	Nut - Dado	€ 54.00
6205 2RS - (IP30-40F)	71	SL0118	Bearing - Cuscinetto	€ 8.00
6208 2RS - (IP60-80F)	71	SL3913	Bearing - Cuscinetto	€ 12.00
∅28x∅52x7 - (IP30-40F)	72	SL3916	Oil seal - Paraolio	
∅40x∅80x12 - (IP60-80F)	72	SL3918	Oil seal - Paraolio	€ 9.00
10x10x35 - (IP60-80F)	73	SL3903	Key - Linguetta	
"1/4"x1/4"x20 - (IP30-40F)"	73	SL3909	Key - Linguetta	
(IP30-40F)	74	CO0620	Shaft - Albero	
(IP60-80F)	74	CO0621	Shaft - Albero	

*Ricambio consigliato - Advised spare parts



POS.	CODE
52	SL3895
53	CO8395
53	CO8807
54	CO0644
55	CO9623
56	ACRF30BR
56	ACRF40BR
56	ACRF60BR
56	ACRF80BR
57	ACRF30HK
57	ACRF40HK
57	ACRF60HK
57	ACRF80HK
58	ACRF30WP
58	ACRF40WP
58	ACRF60WP
58	ACRF80WP
59	CO8438
60	SL3429
61	CO0611
62	SA1052
63	CO0612
63	CO0613
64	CO0614
64	CO0615
66	CO0616
66	CO0617
67	SL0075
68	CO0618
68	CO0619
69	CO5710
70	CO5711
71	SL0118
71	SL3913
72	SL3916
72	SL3918
73	SL3903
73	SL3909
74	CO0620
74	CO0621



SPARE PARTS
TAVOLA RICAMBI

ip30-40-60-80f
1



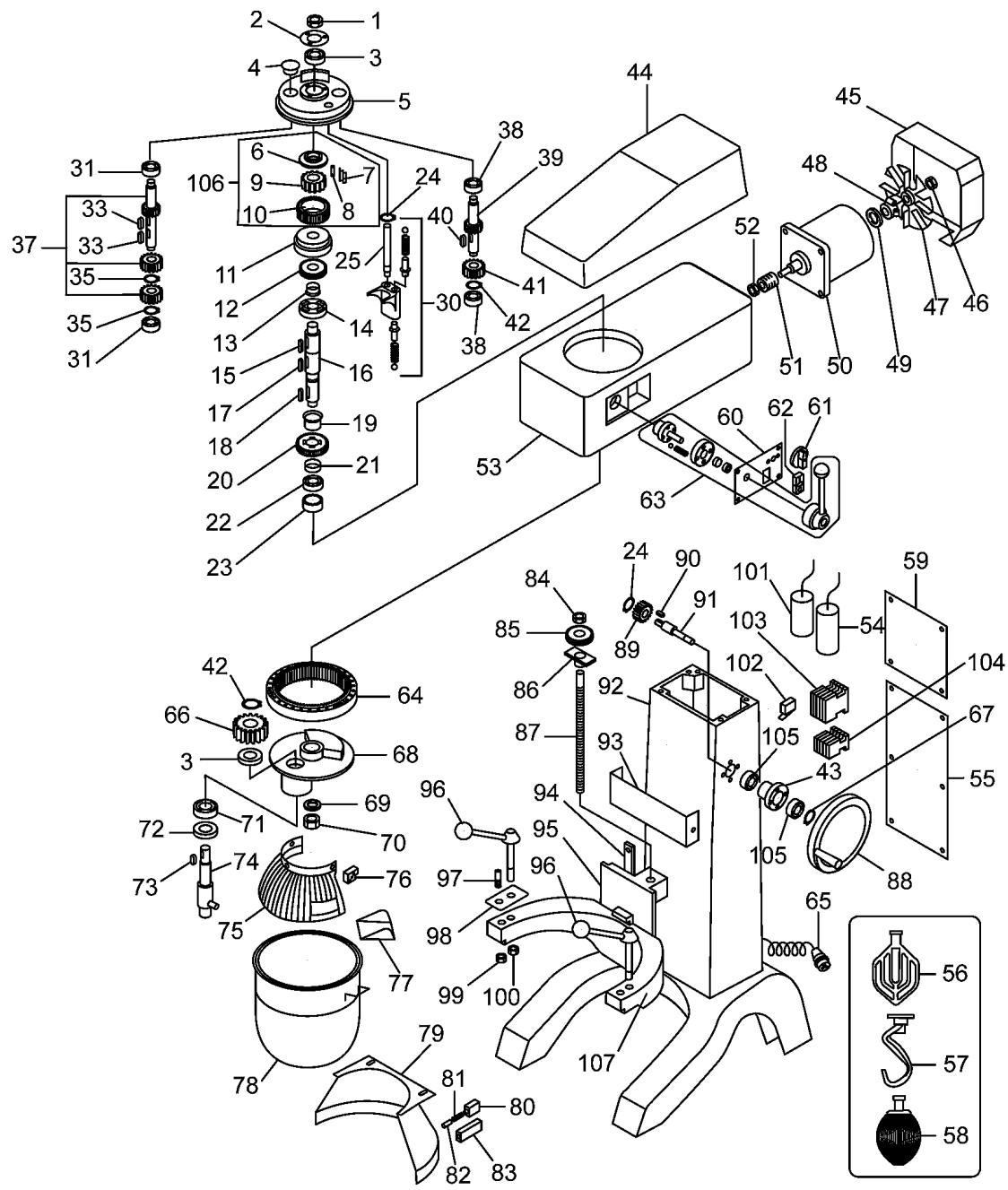
SPARE PARTS TAVOLA RICAMBI

ip30-40-60-80f

1

SPEC.	N.	CODE	DENOMINAZIONE - DENOMINATION	PRICE
(IP30F)	75	CO0622	Cover - Coperchio	€ 140.00
(IP40F)	75	CO0623	Cover - Coperchio	€ 159.00
(IP60F)	75	CO0624	Cover - Coperchio	
(IP80F)	75	CO0625	Cover - Coperchio	
	76	CO5105	Pad - Blocchetto	€ 221.00
(IP30-40F)	77	CO0626	Chute - Scivolo	
(IP60-80F)	77	CO0627	Chute - Scivolo	€ 57.00
(IP30F)	78	ACRF30BL	Pan - Pentola	
(IP40F)	78	ACRF40BL	Pan - Pentola	
(IP60F)	78	ACRF60BL	Pan - Pentola	
(IP80F)	78	ACRF80BL	Pan - Pentola	
(IP30F)	79	CO0628	Protection - Protezione	
(IP40F)	79	CO0629	Protection - Protezione	
(IP60F)	79	CO0630	Protection - Protezione	
(IP80F)	79	CO0631	Protection - Protezione	
	* 80	CO0514	Microswitch - Microinterruttore	€ 38.90
	81	CO5102	Spring - Molla	€ 15.90
	82	CO5103	Pivot - Perno	€ 8.00
	83	CO5104	Support - Supporto	€ 204.00
(IP30-40F)	85	CO0632	Gear - Ingranaggio	€ 68.00
(IP60-80F)	85	CO0633	Gear - Ingranaggio	€ 108.00
(IP40F)	86	CO5773	Base - Basamento	
(IP30-40F)	87	CO0634	Endless screw - Vite senza fine	
(IP60-80F)	87	CO0635	Endless screw - Vite senza fine	
(IP30-40F)	88	CO0640	Handwheel - Volantino	
(IP60-80F)	88	CO0641	Handwheel - Volantino	
(IP30-40F)	89	CO0636	Gear - Ingranaggio	€ 84.00
(IP60-80F)	89	CO0637	Gear - Ingranaggio	
5x5x10	90	SL0010	Key - Linguetta	
(IP30-40F)	91	CO0638	Pivot - Perno	
(IP60-80F)	91	CO0639	Pivot - Perno	€ 102.00
(IP40F)	95	CO8106	Slide - Slitta	
(IP30-40F)	96	CO0642	Pair of levers - Coppia leve	€ 34.60
(IP60-80F)	96	CO0643	Pair of levers - Coppia leve	
(IP40F)	97	CO7933	Pivot - Perno	
(IP60F)	97	CO9167	PIN - PERNO	
(IP60F)	98	CO9164	PLATE - TARGHETTA	
(IP60F)	99	CO9165	NUT - DADO	
(IP60F)	100	CO9166	NUT - DADO	
30µF (IP30F)	101	CO0526	Condenser - Condensatore	

*Ricambio consigliato - Advised spare parts



POS.	CODE
75	CO0622
75	CO0623
75	CO0624
75	CO0625
76	CO5105
77	CO0626
77	CO0627
78	ACRF30BL
78	ACRF40BL
78	ACRF60BL
78	ACRF80BL
79	CO0628
79	CO0629
79	CO0630
79	CO0631
80	CO0514
81	CO5102
82	CO5103
83	CO5104
85	CO0632
85	CO0633
86	CO5773
87	CO0634
87	CO0635
88	CO0640
88	CO0641
89	CO0636
89	CO0637
90	SL0010
91	CO0638
91	CO0639
95	CO8106
96	CO0642
96	CO0643
97	CO7933
97	CO9167
98	CO9164
99	CO9165
100	CO9166
101	CO0526



SPARE PARTS
TAVOLA RICAMBI

ip30-40-60-80f
1

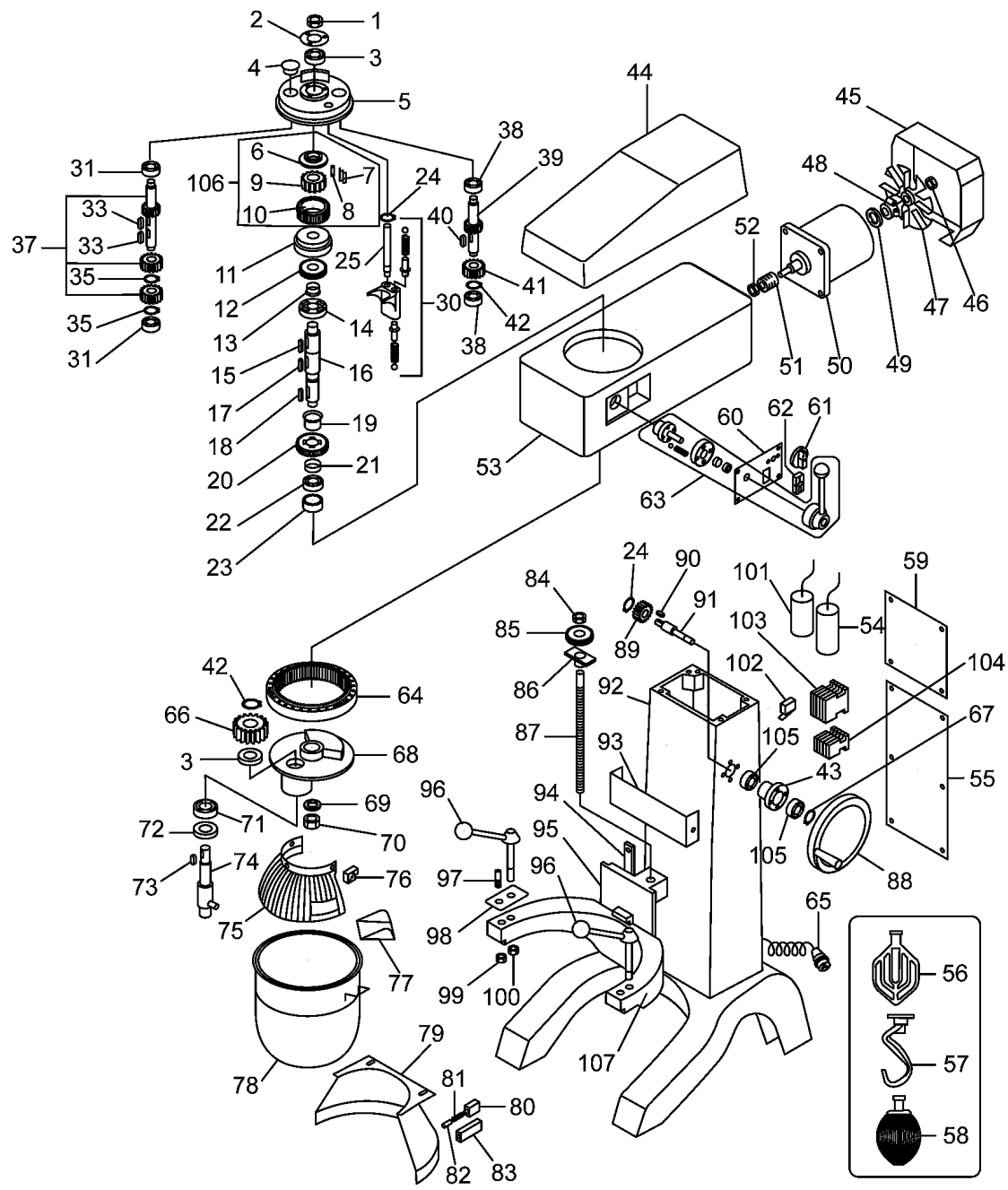


SPARE PARTS
TAVOLA RICAMBI

ip30-40-60-80f
1

SPEC.	N.	CODE	DENOMINAZIONE - DENOMINATION	PRICE
	* 102	CO0527	Microswitch - Microinterruttore	€ 23.00
(IP30-40F)	* 103	32Z4840	Remote control switch - Teleruttore	€ 23.20
(IP60-80F)	* 103	SL3029	Remote control switch - Teleruttore	
230V/1Ph/50Hz (IP30F)	104	CO0554	Thermic - Termico	
400V/3Ph/50Hz (IP30-40F)	104	SL2886	Thermic - Termico	€ 54.00
400V/3Ph/50Hz (IP60-80F)	104	SL3579	Thermic - Termico	€ 36.00
HK2020 - (IP60-80F)	105	SL3914	Bearing - Cuscinetto	
Assembly (IP40F)	106	CO7963	Gear - Ingranaggio	€ 306.00
(IP40F)	107	CO7999	Support - Supporto	

*Ricambio consigliato - Advised spare parts



POS. CODE	
102	CO0527
103	32Z4840
103	SL3029
104	CO0554
104	SL2886
104	SL3579
105	SL3914
106	CO7963
107	CO7999



SPARE PARTS
TAVOLA RICAMBI

ip30-40-60-80f
1