



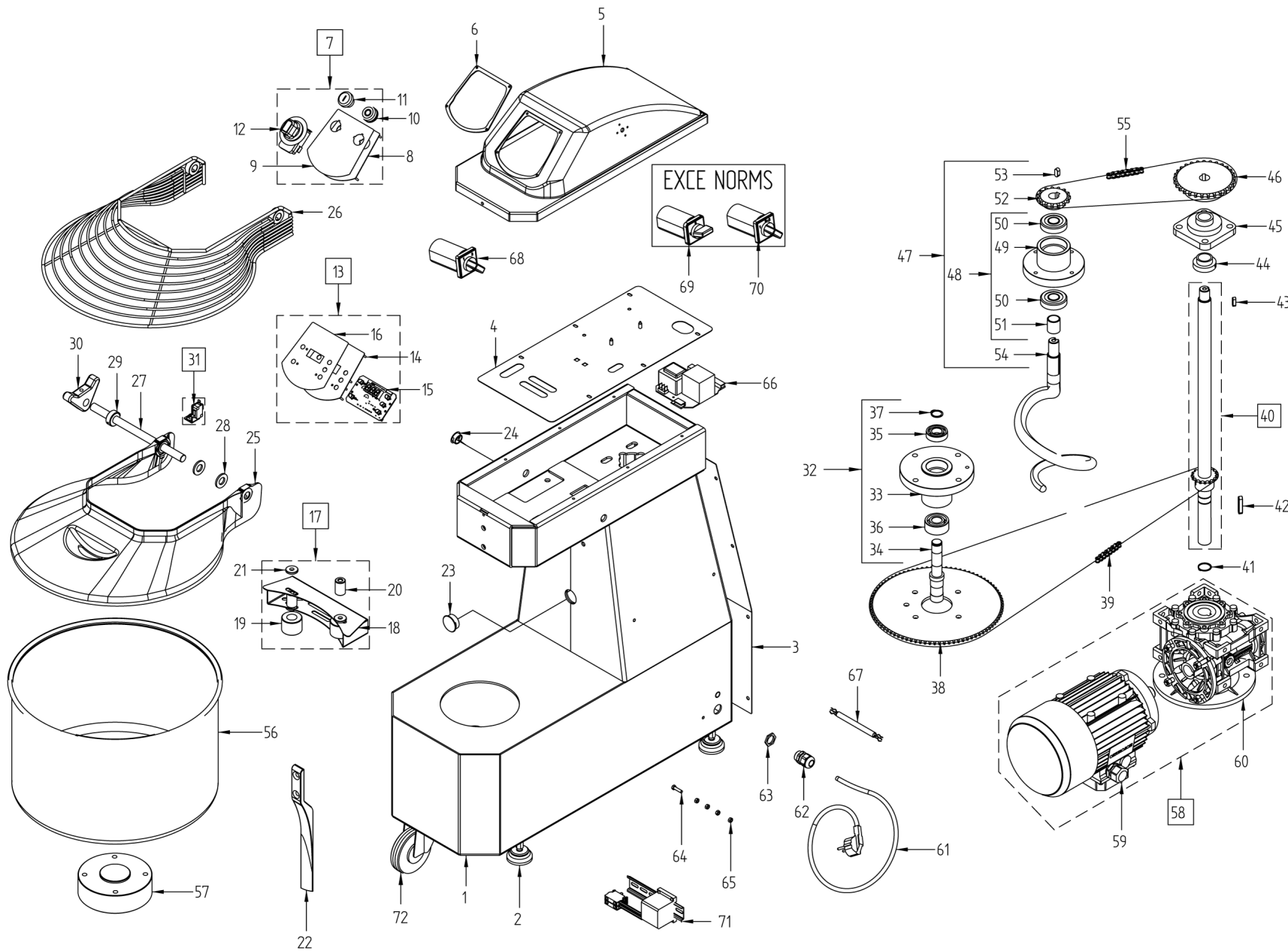
## INDICE FIGURATIVO GENERALE GENERAL FIGURE INDEX

IM25-38SBN0

00

SPEC.	N.	CODE	DENOMINAZIONE - DENOMINATION	PRICE
IM25SBN0	1	SL7520	BASAMENTO - BASE	
IM 38SBN0	1	SL7530	BASAMENTO - BASE	
IM25SBN0 38SBN0	2	SL3361	PIEDINO Ø50 - FEET Ø50	€ 5.00
IM25SBN0	3	SL7521	COPERCHIO POSTERIORE - BACK COVER	€ 16.00
IM 38SBN0	3	SL7532	COPERCHIO POSTERIORE - BACK COVER	€ 17.00
IM25SBN0 38SBN0	4	SA7508	PIASTRA SUPPORTO SCHEDA - BOARD SUPPORT ASSEMBLY	€ 17.00
IM25SBN0	5	SL7522	CUPOLA - DOME	€ 19.00
IM 38SBN0	5	SL7529	CUPOLA - DOME	€ 38.00
IM25SBN0	5	SL7596	CUPOLA 2V (EVO) / TIMER (HYD) - DOME 2V (EVO) / TIMER (HYD)	€ 24.00
IM 38SBN0	5	SL7597	CUPOLA 2V (EVO) / TIMER (HYD) - DOME 2V (EVO) / TIMER (HYD)	€ 38.00
IM25SBN0 38SBN0	6	SL7565	GUARNIZIONE - GASKET	€ 8.00
IM25SBN0 38SBN0 - OPTIONAL	7	SA7544	GRUPPO TIMER MECCANICO - FIMAR - MECHANICAL TIMER ASSEMBLY - FIMAR	€ 49.00
IM25SBN0 38SBN0	7	SA7558	GRUPPO PANNELLO FIMAR - EXCE - FIMAR PANEL ASSEMBLY - EXCE	
IM25SBN0 38SBN0	7	SA7673	GRUPPO START&STOP ORIZ. - FIMAR - ORIZ. START&STOP ASSEMBLY - FIMAR	€ 22.00
IM25SBN0 38SBN0	8	SL7544	PIASTRA COMANDI - START & STOP - CONTROL PLATE - START & STOP	€ 6.00
IM25SBN0 38SBN0	9	SL7548	ETICHETTA FIMAR - TIMER MECC. - FIMAR LABEL - MECH. TIMER	
IM25SBN0 38SBN0	9	SL7658	ETICHETTA FIMAR - EXCE - FIMAR LABEL - EXCE	
IM25SBN0 38SBN0	9	SL7665	ETICHETTA FIMAR - START & STOP - FIMAR LABEL - START & STOP	
IM25SBN0 38SBN0	10	SL2119	PULSANTE STOP - STOP BUTTON	€ 10.00
IM25SBN0 38SBN0	11	SL2120	PULSANTE START - START BUTTON	€ 10.00
IM25SBN0 38SBN0	12	SA1091	GRUPPO TIMER MECCANICO - FIMAR - MECHANICAL TIMER ASSEMBLY - FIMAR	€ 35.00
IM25SBN0 38SBN0 - OPTIONAL	13	SA7543	GRUPPO TIMER DIGITALE - FIMAR - DIGITAL TIMER ASSEMBLY - FIMAR	€ 40.00
IM25SBN0 38SBN0	14	SL7543	PIASTRA COMANDI - DIGITALE - CONTROL PLATE - DIGITAL	€ 9.00
IM25SBN0 38SBN0	15	SL4116	SCHEDA TIMER DIGITALE - DIGITAL TIMER BOARD	€ 36.00
IM25SBN0 38SBN0	16	SL7554	ETICHETTA FIMAR - TIMER DIGITALE - FIMAR LABEL - DIGITAL TIMER	€ 10.00
IM25SBN0 38SBN0	17	SA7671	GRUPPO ROTAZIONE PENTOLA - BOWL ROTATION ASSEMBLY	
IM25SBN0 38SBN0	18	SL7671	STAFFA SUPPORTO ROTAZIONE - ROTATION SUPPORT STIRRUP	
IM25SBN0 38SBN0	19	SL2655	RUOTA GUIDA PENTOLA - BOWL GUIDE WHEEL	€ 2.00
IM25SBN0 38SBN0	20	SL1090	DISTANZIALE - SPACER	€ 4.00
IM25SBN0 38SBN0	21	SL0875	ROSETTA Ø8x24x4 - WASHER Ø8x24x4	
IM25SBN0	22	SL3371	ASTA - ROD	€ 30.00
IM 38SBN0	22	SL7551	ASTA INCLINATA - INCLINED ROD	€ 24.00
IM25SBN0 38SBN0	23	SL7502	TAPPO Ø31 - CAP Ø31	€ 4.00
IM25SBN0 38SBN0	24	SL7501	TAPPO Ø21 - CAP Ø21	€ 2.00
IM25SBN0	25	SA1006	GRUPPO COPERCHIO POLICARBONATO - POLYCARBONATE COVER ASSEMBLY	€ 24.00
IM 38SBN0	25	SA1007	GRUPPO COPERCHIO POLICARBONATO - POLYCARBONATE COVER ASSEMBLY	€ 24.00
IM25SBN0 - OPTIONAL	26	SL3419	COPERCHIO GRIGLIATO - GRID COVER	€ 52.00
IM 38SBN0 - OPTIONAL	26	SL3420	COPERCHIO GRIGLIATO - GRID COVER	€ 56.00
IM25SBN0 38SBN0	27	SL7803	PERNO LUNGO COPERCHIO - COVER LONG PIN	€ 9.00
IM25SBN0 38SBN0	28	SL7802	RONDELLA NYLON - NYLON WASHER	€ 2.00

\*Ricambio consigliato - Advised spare parts



POS. CODE

1	SL7520
1	SL7530
2	SL3361
3	SL7521
3	SL7532
4	SA7508
5	SL7522
5	SL7529
5	SL7596
5	SL7597
6	SL7565
7	SA7544
7	SA7558
7	SA7673
8	SL7544
9	SL7548
9	SL7658
9	SL7665
10	SL2119
11	SL2120
12	SA1091
13	SA7543
14	SL7543
15	SL4116
16	SL7554
17	SA7671
18	SL7671
19	SL2655
20	SL1090
21	SL0875
22	SL3371
22	SL7551
23	SL7502
24	SL7501
25	SA1006
25	SA1007
26	SL3419
26	SL3420
27	SL7803
28	SL7802

INDICE FIGURATIVO GENERALE  
GENERAL FIGURE INDEX

IM25-38SBN0  
00



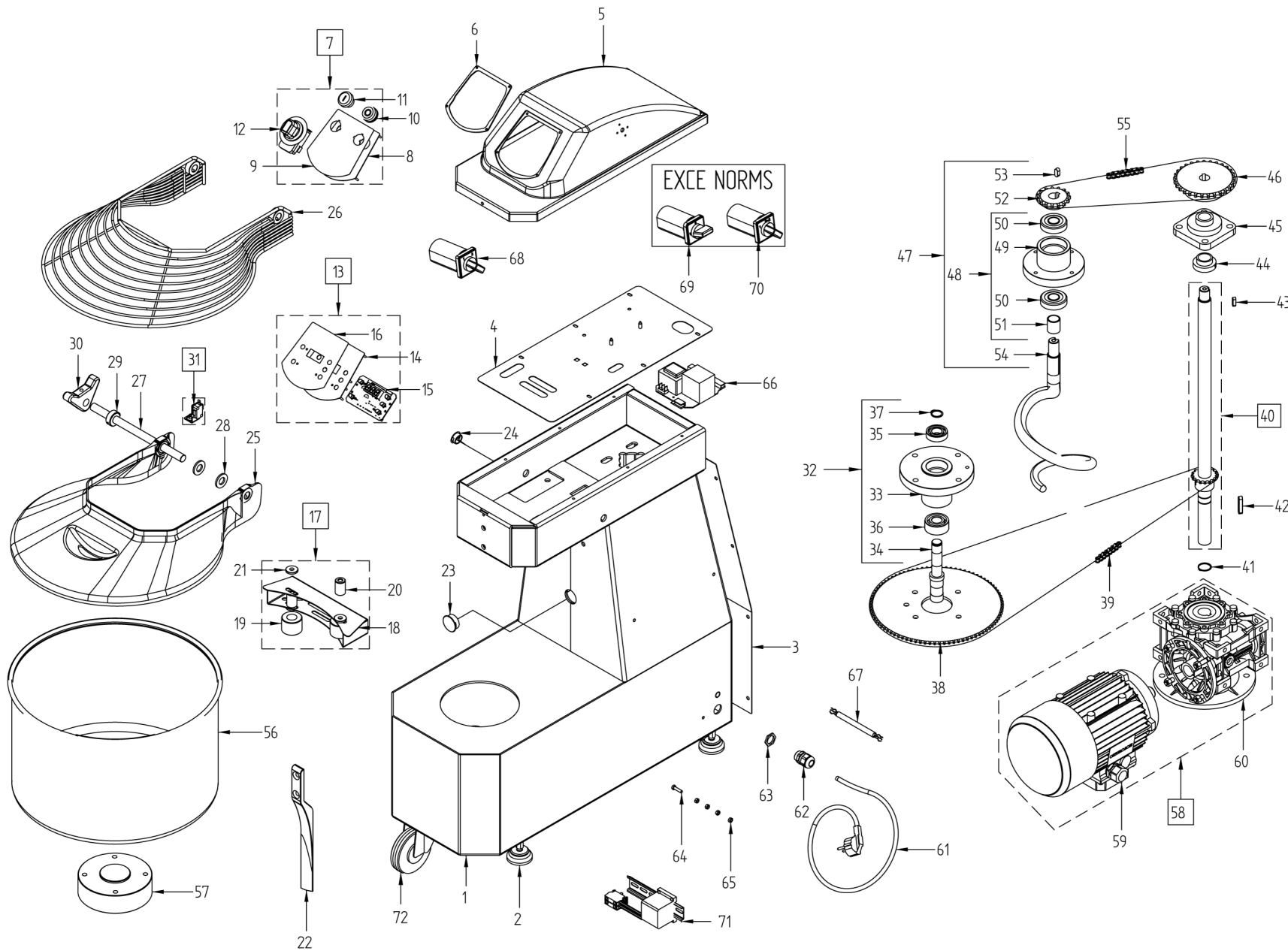
## INDICE FIGURATIVO GENERALE GENERAL FIGURE INDEX

IM25-38SBN0

00

SPEC.	N.	CODE	DENOMINAZIONE - DENOMINATION	PRICE
IM25SBN0 38SBN0	29	SL0036	ECCENTRICO MICRO - MICRO ECCENTRIC	€ 2.00
IM25SBN0 38SBN0	30	SL0035	BATTUTA COPERCHIO - COVER BUMPER	€ 9.00
IM25SBN0 38SBN0	31	SA1044	GRUPPO MICRO 1PH - EXCE - MICRO ASSEMBLY 1PH - EXCE	€ 24.00
IM25SBN0 38SBN0	31	SA1152	GRUPPO MICRO EXCE - EXCE MICRO ASSEMBLY	€ 27.00
IM25SBN0 38SBN0	31	SA1158	GRUPPO MICRO - MICRO ASSEMBLY	€ 14.00
IM25SBN0 38SBN0	32	SA1800	GRUPPO SUPPORTO PENTOLA - BOWL SUPPORT ASSEMBLY	€ 40.00
IM25SBN0 38SBN0	33	SL0074	SUPPORTO PENTOLA - BOWL SUPPORT	€ 35.00
IM25SBN0 38SBN0	34	SL0072	ALBERO SUPPORTO PENTOLA - BOWL SUPPORT SHAFT	€ 9.00
IM25SBN0 38SBN0	35	SL1799	CUSCINETTO 6004 2RS - BEARING 6004 2RS	€ 2.00
IM25SBN0 38SBN0	36	SL0103	CUSCINETTO 3204 2RS - BEARING 3204 2RS	€ 7.00
IM25SBN0 38SBN0	37	SL0075	SEEGER ESTERNO Ø20 - INNER SEEGER Ø20	€ 1.00
IM25SBN0 38SBN0	38	SL0100	CORONA 3/8" Z85 - GEAR 3/8" Z85	€ 26.00
IM25SBN0 38SBN0	39	SL3366	CATENA 3/8" 143P - CHAIN 3/8" 143P	€ 10.00
IM25SBN0	40	SA7524	GRUPPO ALBERO - SHAFT ASSEMBLY	€ 30.00
IM 38SBN0	40	SA7533	GRUPPO ALBERO - SHAFT ASSEMBLY	€ 30.00
IM25SBN0 38SBN0	41	SL1616	SEEGER ESTERNO Ø25 - EXTERNAL SEEGER Ø25	€ 1.00
IM25SBN0 38SBN0	42	SL3410	LINGUETTA 8x7x40 - LATCH 8x7x40	€ 1.00
IM25SBN0 38SBN0	43	SL2051	LINGUETTA 6x6x20 - LATCH 6x6x20	€ 1.00
IM25SBN0 38SBN0	44	SL4134	DISTANZIALE - SPACER	€ 7.00
IM25SBN0 38SBN0	45	SL0086	SUPPORTO UCF 205 - SUPPORT UCF 205	€ 11.00
IM25SBN0 38SBN0	46	SL0084	PIGNONE 1/2" Z29 - PINION 1/2" Z29	€ 19.00
IM25SBN0	47	SA1129	GRUPPO SUPPORTO SPIRALE - SPIRAL SUPPORT ASSEMBLY	€ 102.00
IM25SBN0 38SBN0	48	SA1149	GRUPPO SUPPORTO SPIRALE - SPIRAL SUPPORT ASSEMBLY	€ 35.00
IM25SBN0 38SBN0	49	SL3261	SUPPORTO SPIRALE - SPIRAL SUPPORT	€ 25.00
IM25SBN0 38SBN0	50	SL3194	CUSCINETTO 6304 2RS - BEARING 6304 2RS	€ 10.00
IM25SBN0 38SBN0	51	SL4256	DISTANZIALE SUPPORTO SPIRALE - SPIRAL SUPPORT SPACER	€ 5.00
IM25SBN0 38SBN0	52	SL4255	PIGNONE 1/2" Z15 - PINION 1/2" Z15	€ 10.00
IM25SBN0 38SBN0	53	SL3408	LINGUETTA 8x7x18 - LATCH 8x7x18	€ 1.00
IM25SBN0 38SBN0	54	SL3262	SPIRALE - SPIRAL	€ 72.00
IM25SBN0	55	SL7764	CATENA 1/2" 71P - CHAIN 1/2" 71P	€ 9.00
IM 38SBN0	55	SL7766	CATENA 1/2" 68P + 1/2 - CHAIN 1/2" 68P + 1/2	€ 9.00
IM25SBN0	56	SL0067	PENTOLA - PAN	€ 142.00
IM 38SBN0	56	SL0068	PENTOLA - PAN	€ 213.00
IM25SBN0 38SBN0	57	SL7523	DISTANZIALE - SPACER	€ 40.00
IM25SBN0 38SBN0	58	SL3404	MOTORIDUTTORE 3PH 230-400V 50Hz - MOTOREDCER 3PH 230-400V 50Hz	€ 325.00
IM25SBN0 38SBN0	58	SL3405	MOTORIDUTTORE 1PH 220-240V 50Hz - MOTOREDCER 1PH 220-240V 50Hz	€ 366.00
IM25SBN0 38SBN0	58	SL3406	MOTORIDUTTORE 2V 3PH 400V 50Hz - MOTOREDCER 2V 3PH 400V 50Hz	€ 433.00
IM25SBN0 38SBN0	58	SL7567	MOTORIDUTTORE 1PH 220-240V 60Hz - MOTOREDCER 1PH 220-240V 60Hz	
IM25SBN0 38SBN0	58	SL7570	MOTORIDUTTORE 2V 3PH 220V 60Hz - MOTOREDCER 2V 3PH 220V 60Hz	
IM25SBN0 38SBN0	58	SL7571	MOTORIDUTTORE 2V 3PH 400V 60Hz - MOTOREDCER 2V 3PH 400V 60Hz	

\*Ricambio consigliato - Advised spare parts



**POS. CODE**

29	SL0036
30	SL0035
31	SA1044
31	SA1152
31	SA1158
32	SA1800
33	SL0074
34	SL0072
35	SL1799
36	SL0103
37	SL0075
38	SL0100
39	SL3366
40	SA7524
40	SA7533
41	SL1616
42	SL3410
43	SL2051
44	SL4134
45	SL0086
46	SL0084
47	SA1129
48	SA1149
49	SL3261
50	SL3194
51	SL4256
52	SL4255
53	SL3408
54	SL3262
55	SL7764
55	SL7766
56	SL0067
56	SL0068
57	SL7523
58	SL3404
58	SL3405
58	SL3406
58	SL7567
58	SL7570
58	SL7571

**INDICE FIGURATIVO GENERALE**  
**GENERAL FIGURE INDEX**

**IM25-38SBN0**  
 00

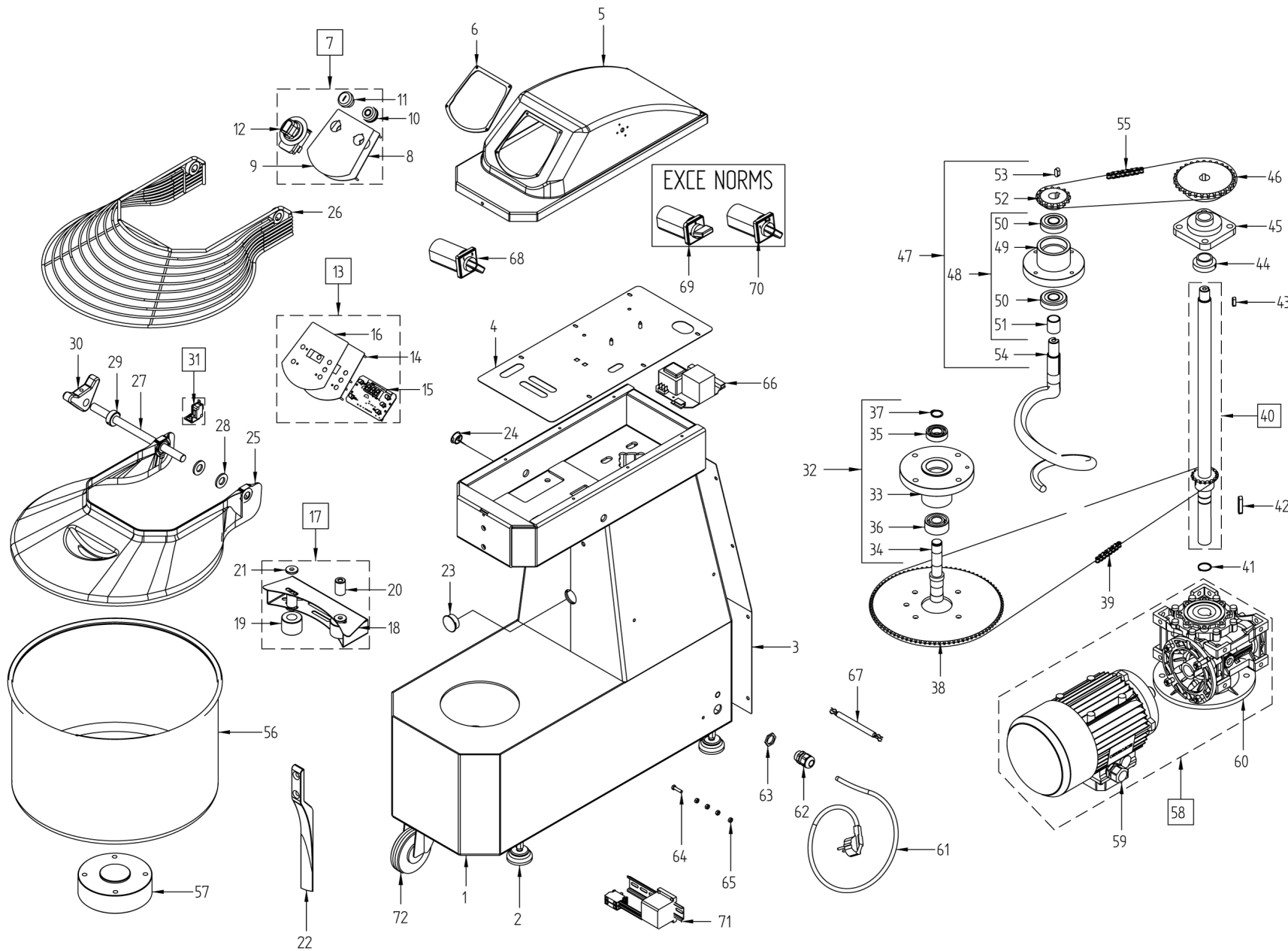


**INDICE FIGURATIVO GENERALE**  
**GENERAL FIGURE INDEX**

**IM25-38SBN0**  
00

SPEC.	N.	CODE	DENOMINAZIONE - DENOMINATION	PRICE
IM25SBN0 38SBN0	59	SL3214	MOTORE 1PH 220-240V 50Hz - MOTOR 1PH 220-240V 50Hz	€ 189.00
IM25SBN0 38SBN0	59	SL3311	MOTORE 3PH 230-400V 50Hz - MOTOR 3PH 230-400V 50Hz	€ 151.00
IM25SBN0 38SBN0	59	SL3315	MOTORE 2V 3PH 230-400V 50Hz - MOTOR 2V 3PH 230-400V 50Hz	€ 257.00
IM25SBN0 38SBN0	59	SL3585	MOTORE 3PH 230-400V 60Hz - MOTOR 3PH 230-400V 60Hz	€ 218.00
IM25SBN0 38SBN0	59	SL3596	MOTORE 1PH 220-240V 60Hz - MOTOR 1PH 220-240V 60Hz	€ 368.00
IM25SBN0	59	SL4555	MOTORE 2V 3PH 230-400V 60Hz - MOTOR 2V 3PH 230-400V 60Hz	€ 274.00
IM25SBN0 38SBN0	60	SL3338	RIDUTTORE GR63 1/30 - REDUCER GR63 1/30	€ 247.00
IM25SBN0 38SBN0	61	SL1671	SPINA SCHUKO - SCHUKO PLUG	€ 12.00
IM25SBN0 38SBN0	61	SL1841	SPINA ROSSA 3PH 4 POLI - 4 POLES 3PH RED PLUG	€ 20.00
IM25SBN0 38SBN0	61	SL2276	SPINA INGLESE - ENGLISH PLUG	€ 13.00
IM25SBN0 38SBN0	61	SL2478	SPINA ROSSA 3PH 5 POLI - 5 POLES 3PH RED PLUG	€ 19.00
IM25SBN0 38SBN0	62	SL4408	PRESSACAVO M20x1,5 - CABLE GLAND M20x1,5	€ 2.00
IM25SBN0 38SBN0	63	SL4417	CONTRODADO M20x1,5 - LOCK NUT M20x1,5	€ 2.00
IM25SBN0 38SBN0	64	SL3581	VITE TE M5x20 - EQUIPOTENZIALE - SCREW TE M5x20 - EQUIPOTENTIAL	€ 1.00
IM25SBN0 38SBN0	65	3112230	DADO M5 - EQUIPOTENZIALE - M5 NUT - EQUIPOTENTIAL	€ 1.00
IM25SBN0 38SBN0	66	SL0934	SCHEDA 3PH - 3PH BOARD	€ 47.00
IM25SBN0 38SBN0	66	SL0935	SCHEDA 1PH - 1PH BOARD	€ 39.00
IM25SBN0 38SBN0	67	SL7654	SERIE CAVI 1PH - 1PH CABLE SERIES	€ 19.00
IM25SBN0 38SBN0	67	SL7655	SERIE CAVI 3PH - 3PH CABLE SERIES	€ 19.00
IM25SBN0 38SBN0 - EXCE	67	SL7663	SERIE CAVI 1PH EXCE - CABLE SERIES 1PH EXCE	€ 13.00
IM25SBN0 38SBN0 - EXCE	67	SL7664	SERIE CAVI 3PH EXCE - CABLE SERIES 3PH EXCE	€ 16.00
IM25SBN0 38SBN0 - OPTIONAL	68	SL2743	COMMUTATORE 2V 1-2 - CE - 2V 1-2 SWITCH - CE	€ 46.00
IM25SBN0 38SBN0 - EXCE	69	SL3760	COMMUTATORE 2V - EXCE - 2V SWITCH - EXCE	€ 56.00
IM25SBN0 38SBN0 - EXCE	70	SL0054	INTERRUTTORE TRIPOLARE - EXCE - 3-POLES SWITCH - EXCE	€ 24.00
IM25SBN0 38SBN0 - 3PH 400V - OPT.	71	SA1053	SALVAMOTORE ZE4 (2,4A - 4A) - MOTOR PROTECTOR ZE4 (2,4A - 4A)	€ 56.00
IM25SBN0 38SBN0 - 3PH 230V - OPT.	71	SA1055	SALVAMOTORE ZE9 (6A - 9A) - MOTOR PROTECTOR ZE9 (6A - 9A)	€ 73.00
IM25SBN0 38SBN0 - 1PH 230V - OPT.	71	SA1056	SALVAMOTORE ZB12 (9A - 12A) - MOTOR PROTECTOR ZB12 (9A - 12A)	
IM25SBN0 38SBN0 - ACCESORY - PRICE LIST	72	KITRUOTEIMSN	KIT RUOTE - WHEEL KIT	€ 70.00

\*Ricambio consigliato - Advised spare parts



**POS. CODE**

59	SL3214
59	SL3311
59	SL3315
59	SL3585
59	SL3596
59	SL4555
60	SL3338
61	SL1671
61	SL1841
61	SL2276
61	SL2478
62	SL4408
63	SL4417
64	SL3581
65	3112230
66	SL0934
66	SL0935
67	SL7654
67	SL7655
67	SL7663
67	SL7664
68	SL2743
69	SL3760
70	SL0054
71	SA1053
71	SA1055
71	SA1056
72	KITRUOTEIMSN