

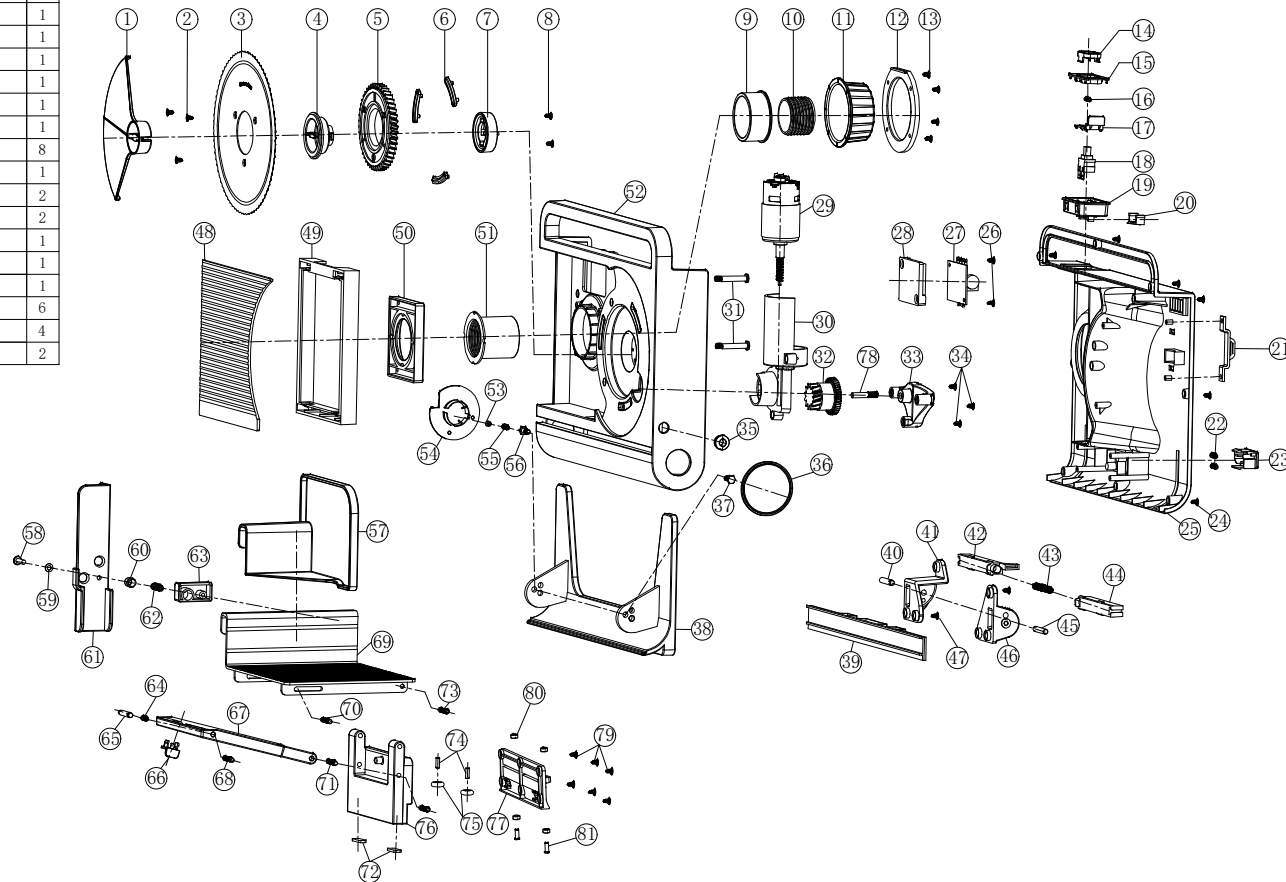
1

2

3

4

No.	Name	Spec/Weight	Material	Qty	No.	Name	Spec/Weight	Material	Qty
1	GJ802 Blade guard	22g	ABS	1	63	GJ802 Hand guard swivel bracket	6.2g	ABS	1
2	S304 plus head countersunk self tapping screws	M4X10	Stainless steel	3	64	GJ802 Sliding platform limit pin spring	Φ5X15	SUS201	1
3	GJ801 Stainless steel wave blade	Φ190X1.2mm	SUS420	1	65	GJ802 Sliding platform limit pinning	Φ6X32	SUS304	1
4	GJ802 Blade fixing knob	16g	PA6+GF30%	1	66	GJ802 Support plate-sliding lockspring	1.2g	ABS	1
5	GJ802 Gear	47g	POM	1	67	GJ802 Platform support plate	58g	ABS	1
6	GJ802 Blade balancing weight	1.4g	PA6+GF30%	3	68	GJ802 Sliding platform rotation pin	Φ5X22.5	SUS304	1
7	GJ802 Blade fixing seatight	12g	PA6+GF30%	1	69	GJ802 Sliding platform rotation pin	37g	Aluminum	1
8	Blade fixing seat screw self-tapping	PA-4X12	White zinc plating	2	70	GJ802 Sliding platform rotation pin	Φ5X22.5	SUS304	1
9	GJ802 Baffle oil bearing	135g/Φ60X25.5	Tin-based powder metallurgy	1	71	GJ802 Sliding platform rotation pin	Φ5X25	SUS304	1
10	GJ802 Adjusting screw metallo	29g	PA6+GF30%	1	72	GJ802 Non-slip mats	23X9X2.5	Silicone	8
11	GJ802 Fixing knob	29g	ABS	1	73	GJ802 Sliding platform rotation pin	Φ5X25	SUS304	1
12	GJ802 Adjustment knob pressure plate	12g	ABS	1	74	GJ802 Sliding platform roller pin	Φ4X12	SUS304	2
13	Cross recessed large flat head machine screw	M4X10	Nickel-plated iron	4	75	GJ802 Sliding platform roller	0.9g	PA6+GF30%	2
14	GJ802 Child lock switch button	3g	ABS	1	76	GJ802 Sliding platform bracket	70g	ABS	1
15	GJ802 Child lock switch cover	2.3g	ABS	1	77	GJ802 Sliding cover for loading platform	51g	PA6+GF30%	1
16	GJ802 Child lock switch spring	Φ5X15	SUS201	4	78	GJ802 Small gear limit shafts	Φ6X32	SUS303	1
17	GJ802 Child lock switch paddle	1.4g	ABS	1	79	Sliding cover fixing screws	M5X10	SUS304	6
18	GJ802 Push button switch (single-side self-locking)			1	80	GJ802 Small roller for platform	0.2g	POM	4
19	GJ802 Child lock switch seat	10g	ABS	1	81	GJ802 Small roller rivet of the platform	Φ5.8X13	SUS202	2
20	GJ802 Child lock switch fixing part	0.8g	ABS	1					
21	GJ802 Power Cord Tie	2.2g	Silicone	1					
22	GJ802 Support foot button spring	Φ6X25	SUS201	2					
23	GJ802 Support foot button	4.3g	ABS	1					
24	Cross recessed large flat head machine screw	M4X10	SUS304	10					
25	GJ802 Back shell	370g	ABS	1					
26	Cross recessed large flat head machine screw	M4X10	Nickel-plated iron	2					
27	GJ802 Circuit Boardron	55.5X45.5X1.6		1					
28	GJ802 Circuit insulation partition	7.9g	ABS	1					
29	GJ802 DC Motor	TPS 7712-04	Pure copper motor	1					
30	GJ802 Motor bracket	57g	PA6+GF30%	1					
31	Cross groove flat head machine thread	M4X40	Nickel-plated iron	4					
32	GJ802 Small gear	15g	PA46	1					
33	GJ802 Small gear fixing bracket	41g	Aluminum	1					
34	Cross groove flat head machine thread	M4X10	Nickel-plated iron	3					
35	GJ802 Power cord rubber stopper	Φ17X9.5-0.9g	Silicone	1					
36	GJ802 Left cover	10g	ABS	1					
37	GJ802 Support foot fixing screw	Φ6X M5 X 10	SUS304	1					
38	GJ802 Support feet	690g	Aluminum	1					
39	GJ802 Slide slot cover	35g	ABS	1					
40	GJ802 Support foot positioning pin	Φ32X6	SUS304	1					
41	GJ802 Rotate right bracket	78.2g	Aluminum	1					
42	GJ802 Support foot positioning slide bar	9.6g	ABS	1					
43	GJ802 Support foot limit pin spring	Φ7X50X0.6	SUS201	1					
44	GJ802 Support foot positioning slide bar	9.6g	ABS	1					
45	GJ802 Support foot positioning pin	Φ32X6	SUS304	1					
46	GJ802 Rotate left bracket	78g	Aluminum	1					
47	GJ802 Rotating bracket fixing screwbar	M4X10	Nickel-plated iron	6					
48	GJ802 Baffle	266g	Aluminum	1					
49	GJ802 Baffle scale bracket	43g	ABS	1					
50	GJ802 Baffle bracket	30g	PC	1					
51	GJ802 Baffle positioning screw sleeve	50g	Aluminum	1					
52	GJ802 Front shell	1128g	Aluminum	1					
53	GJ802 Right cover positioning marble	1.7g	ABS	1					
54	GJ802 Right cover	11.5g	ABS	1					
55	GJ802 The right cover spring of housing	Φ5X15	SUS201	1					
56	GJ802 Support foot fixing screwousing	Φ6X M5 X 10	SUS304	1					
57	GJ802 Food pusher	94g	ABS	1					
58	GJ802 Hand guard rotating screw plus machine thread	M5X16	SUS304	1					
59	GJ802 Hand guard rotation screw gasket	Φ5.2×Φ10.0×1.0	SUS304	1					
60	GJ802 Hand guard rotating marble	3.8g	ABS	1					
61	GJ802 Platform hand guard	54g	ABS	1					
62	GJ802 Hand guard rotation limit spring	Φ8.5X20X0.6	SUS201	1					



Foshan Gongjiang Electric Appliance Technology Co.,Ltd.

Model No. GJ802

1

2

3

A

B

C

D